



RUTLAND COUNTY
GARDEN FURNITURE

Hand-Crafted

ASSEMBLY INSTRUCTIONS

PERGOLA FEET

Before you commence the assembly process, we recommend that you read these instructions thoroughly beforehand to familiarise yourself with the fitment process and to also check that you have the correct components. If for any reason you need assistance, you can find our contact details on the final page of these instructions.

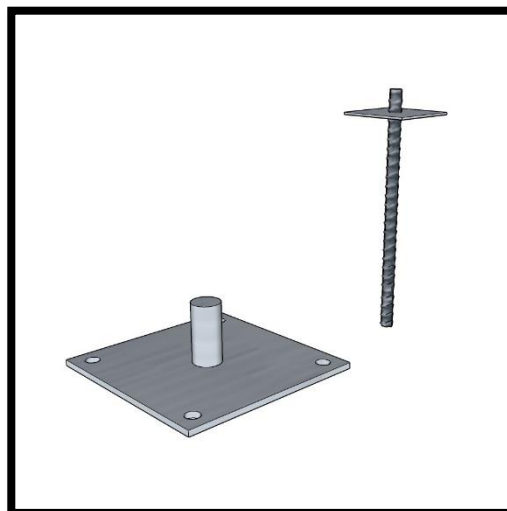
We highly recommend that any fitment is carried out on a flat, level surface and that you use another person to assist you if necessary.

PACKAGE CONTENTS

- Bolt down or spike pergola foot (or feet)
- 1 x 25mm flat drill bit
- 4 x Coachscrews & black covers caps OR sleeve anchors (per *bolt down* foot, depending on substrate).
- 1 x Wooden drive block (Spike version only)

TOOLS REQUIRED

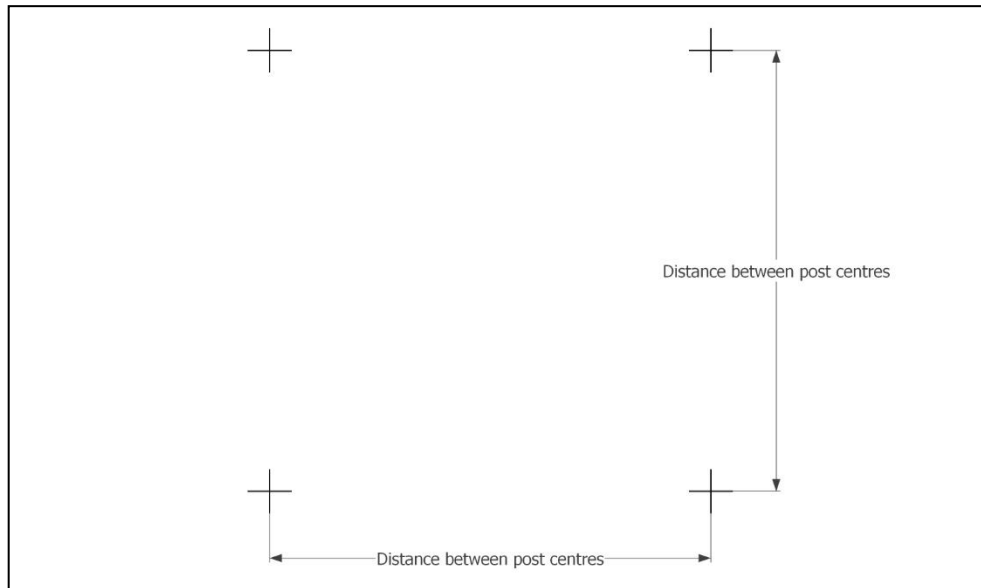
- Spirit/laser level
- Electric drill or driver
- Bolt down version (see Steps 6-9)**
- 10mm socket or spanner (Coachscrews)
- 17mm socket or spanner and 10mm masonry drill bit (Sleeve anchors)
- Spike version (see Step 10-11)**
- Large lump or sledgehammer



PERGOLA FEET

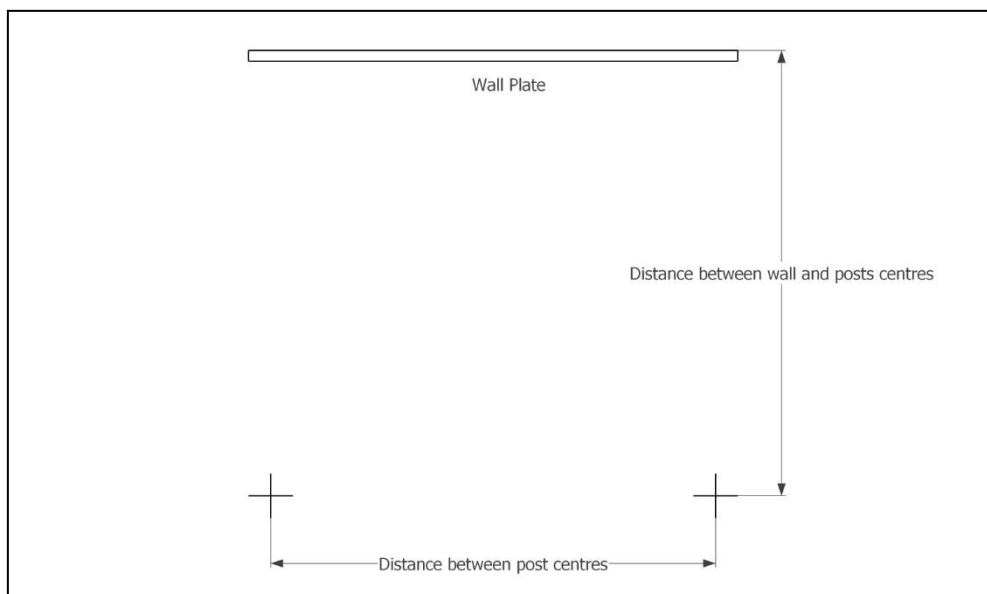
PERGOLA FEET

Step 1



Begin by deciding where you will locate your pergola and then mark out on the ground where the centres of the posts will fall. TIP: (you can find dimension drawings for your pergola on the relevant website product page to help you work out these figures)

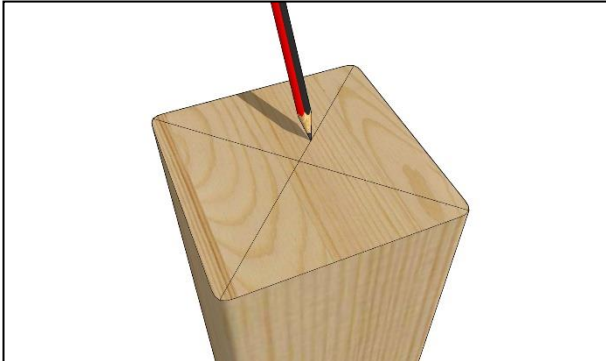
Step 1



For a wall-mounted pergola you will also need to calculate the distance from the wall to your post centres. When complete, place your pergola feet in the positions previously calculated, so that the protruding lug is central and the edges are parallel to where the rafters/runners will fall.

PERGOLA FEET

Step 3



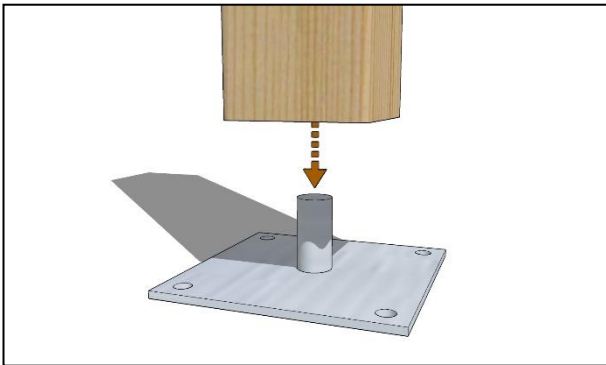
Before erecting your pergola make sure you have trimmed your posts to length if required then prepare them for fitting to the feet by first drawing two lines across diagonally opposite corners, to find the centre...

Step 4



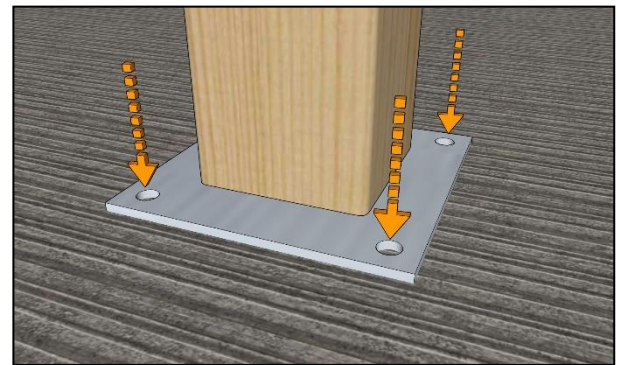
...and then drilling a hole at least 60mm deep as shown.

Step 5



As you build your pergola, simply locate the posts over the feet lugs as shown before fixing them in place as per the following guidelines.

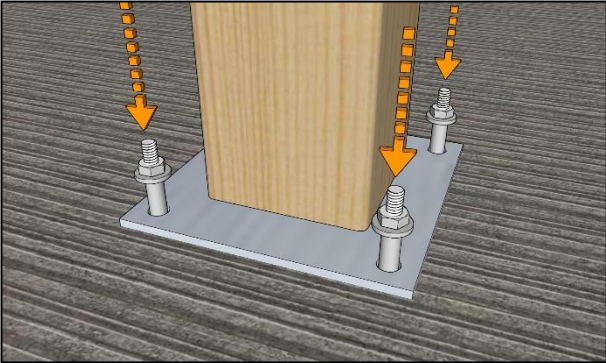
Step 6



To fix into concrete get the edges of the pergola foot parallel with the post faces and adjust the positioning if necessary to get your post fully vertical. Using a 10mm masonry bit, drill holes at least 90mm deep at each corner.

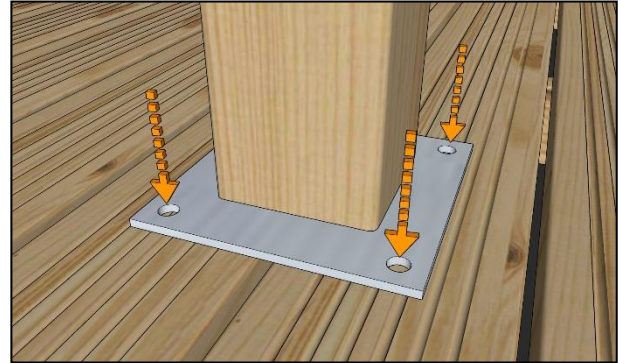
PERGOLA FEET

Step 7



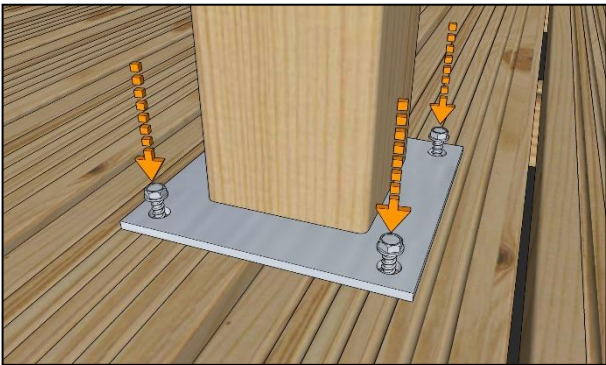
Now drop a sleeve anchor into each hole and fully tighten.

Step 8



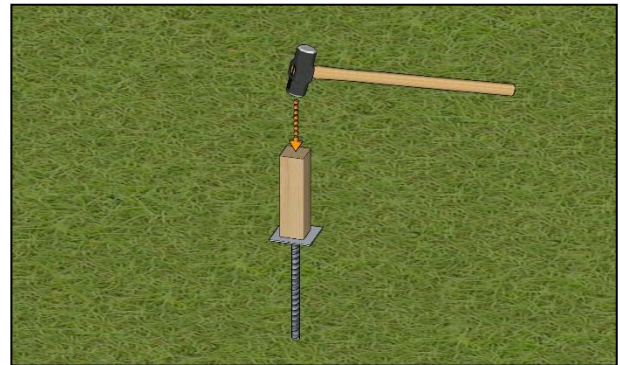
To fix into decking/wood get the edges of the pergola foot parallel with the post faces and adjust the positioning if necessary to get your post fully vertical.

Step 9



Fix the foot into place with the coachscrews provided.

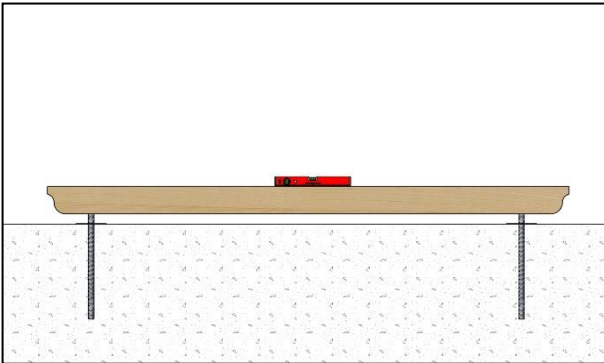
Step 10



Spike feet for use on grass/earth should be aligned to coincide with your marks, edges parallel to where the rafters/runners will fall. Place the drive block onto the spike foot and drive home with a lump or sledgehammer, until the top plate is almost flush with the ground ...

PERGOLA FEET

Step 9



...frequently checking the level of your spikes (and for any twisting) by using the runner and a spirit level as shown here as you drive them down to ground level.

WE HOPE THAT YOU FOUND YOUR PRODUCT QUICK AND EASY TO FIT BUT IF NOT AND YOU REQUIRE ANY FURTHER ASSISTANCE OR HAVE ANY QUESTIONS YOU CAN CONTACT US BY TELEPHONE ON: 01778 440803

EMAIL: INFO@RUTLANDCOUNTYGARDENFURNITURE.CO.UK

WWW.RUTLANDCOUNTYGARDENFURNITURE.CO.UK