



RUTLAND COUNTY
GARDEN FURNITURE

Hand-Crafted

ASSEMBLY INSTRUCTIONS

THE BOX PERGOLA & DECKING KIT

Before you commence the assembly process we recommend that you read these instructions thoroughly beforehand to familiarise yourself with the assembly process and to also check that you have the correct components. If for any reason you need assistance, you can find our contact details on the final page of these instructions.

We highly recommend that any assembly is carried out on an open flat, level surface if possible with sufficient space. You will also require the assistance of at least 2 adults to complete assembly safely.








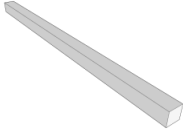
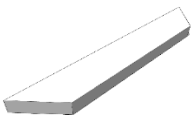
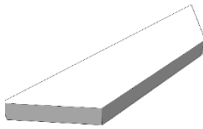
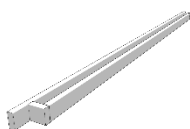
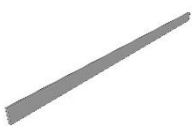
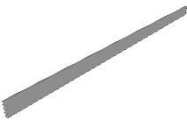
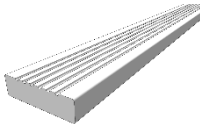
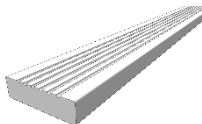
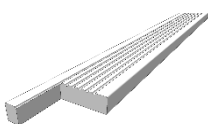
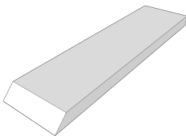
Please note: For a free-standing pergola you can remove up to 400mm from the bottom of each post prior to commencing construction.



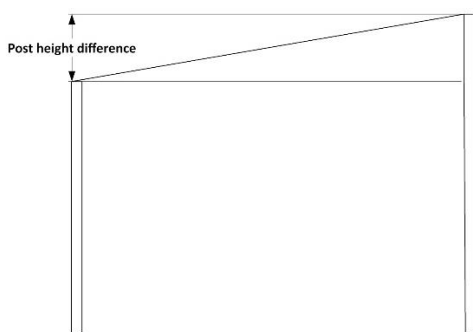
THE BOX PERGOLA AND DECKING KIT

THE BOX PERGOLA & DECKING KIT

Component List

Tools required:		10mm socket, No2 Pozidriv screwdriver (or electric driver) , step ladder or platform.			
75mm green woodscrews	65mm green woodscrews	120mm coachscrews	70mm coachscrews	Runners	Outer Rafters
					
Rafters	4 x Posts	600mm Braces	400mm Braces	2 x Base frame	Edge joists (with pencil marks)
					
Infill joists	Deck slats	Upstand deck slats x 4	Post deck slats	16 x Cladding panels (Optional)	
					

If you have ordered your pergola with a roof slope please refer to the charts below for guidance of the difference in length that you will need to cut your posts to accommodate the slope.

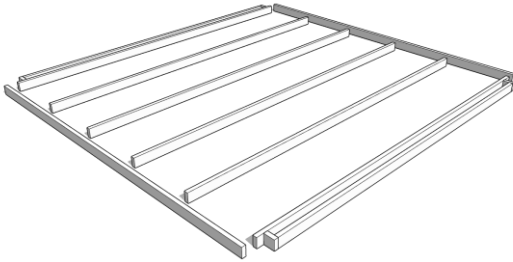


5°	
Rafter length (M)	Post height difference (mm)
1.8	143
2.4	195
3	247
3.6	300
4.2	352
4.8	404

10°	
Rafter length (M)	Post height difference (mm)
1.8	284
2.4	388
3	493
3.6	597
4.2	701
4.8	805

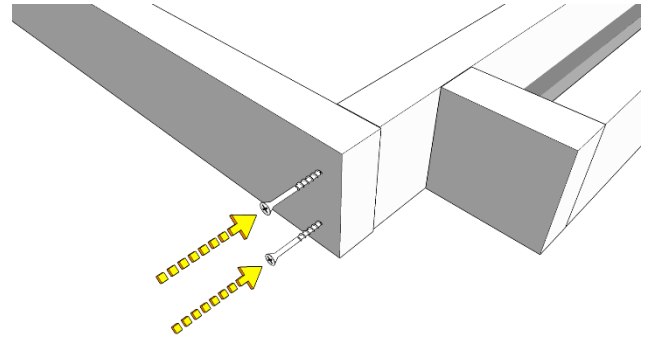
THE BOX PERGOLA & DECKING KIT

Step 1



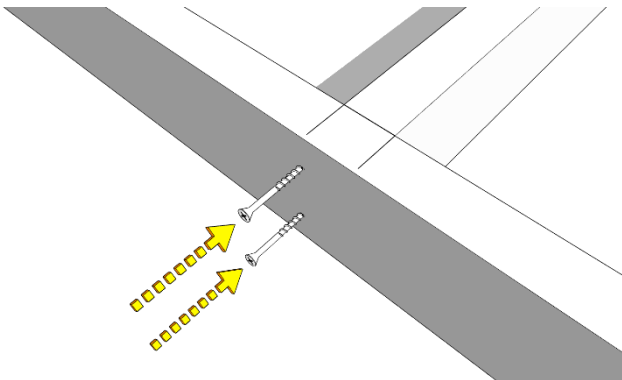
Select an area for your decking that is stable, firm and level. Layout the 2 x Base frame assemblies and 2 x Edge joists in a rectangle and then place the remaining infill joists roughly in place as shown here.

Step 2



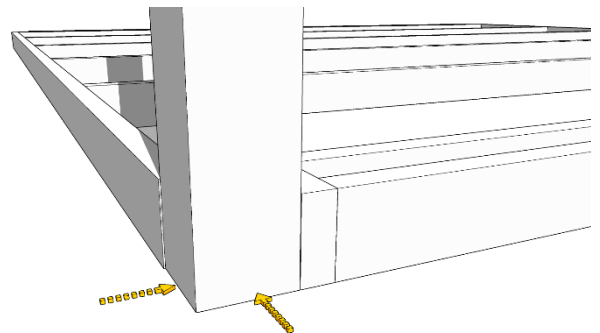
Attach the edge joists to the base frame assemblies using 2 x 75mm screws in the pre-drilled holes, making sure that the ends are flush and everything is square. Repeat for all 4 corners.

Step 3



Line up the ends of each infill joist end with the markings on the edge joists, making sure the top faces are also flush, before screwing each end into place with 2 x 75mm green screws. Add the remaining joists to complete the frame for the decking.

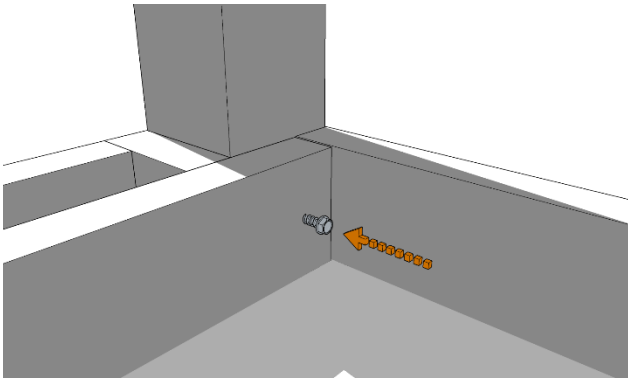
Step 4



Get an assistant to hold the first post in place, housing it in the pocket formed where the base frame assembly and edge pieces meet.

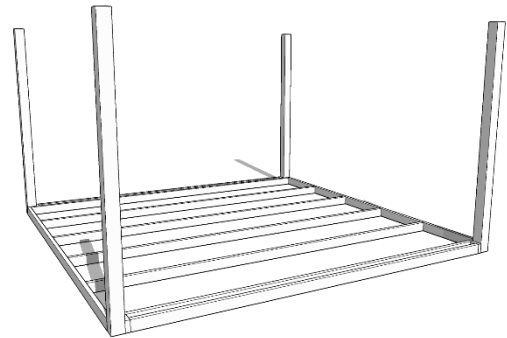
THE BOX PERGOLA & DECKING KIT

Step 5



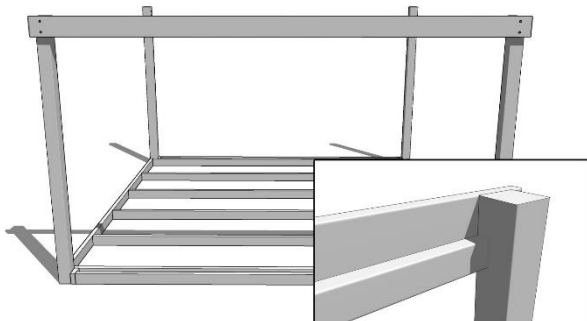
Secure the post in place with a 70mm coach screw through the Base frame assembly into the post as shown here.

Step 6



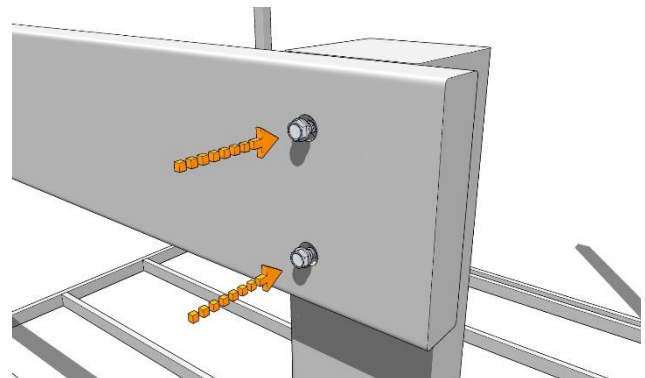
Attach the remainder of the posts so you now have one in each corner.

Step 7



Have an assistant (or even two) help you lift one of the runners (note the batten which should be at the bottom) so that the face with the countersinks is outer most and the top is level with the posts...

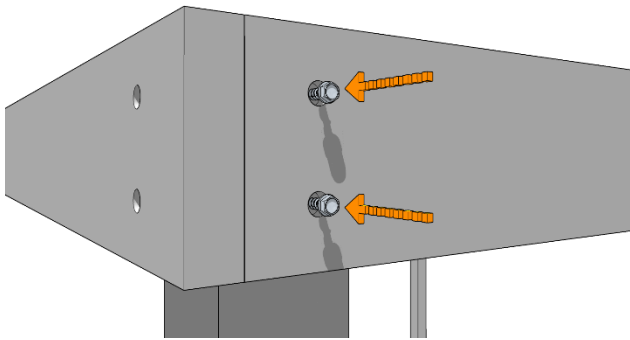
Step 8



...before securing each end into place with 2 x 70mm coachscrews. Add the opposite runner in the same fashion.

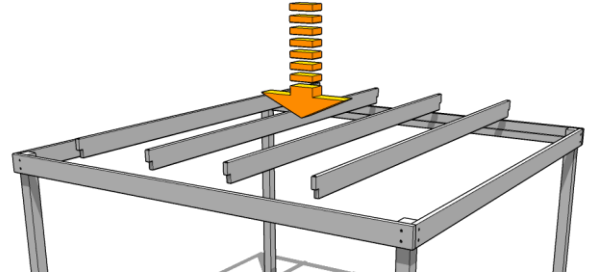
THE BOX PERGOLA & DECKING KIT

Step 9



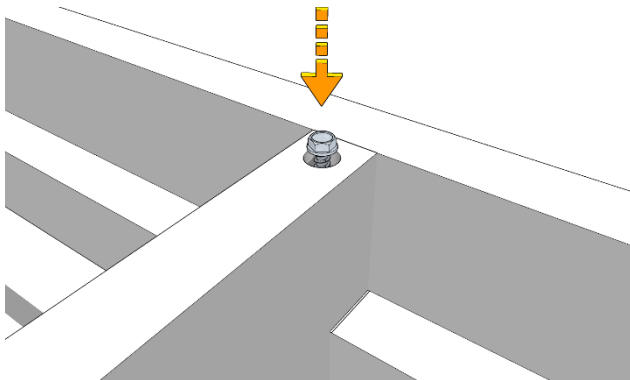
Now attach the plain outer rafters to the posts making sure each one is flush with the tops of the runners and countersinks facing outwards, before securing in place with a pair of 70mm coachscrews at each end.

Step 10



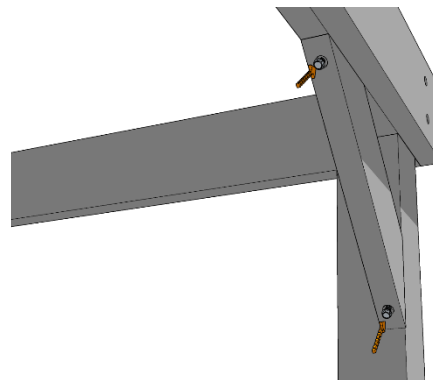
Drop the rafters into place on the runners, lining them up with the guide marks on the runner battens...

Step 11



...before fixing each end down with a 120mm coachscrew through the rafter into the batten on the runner.

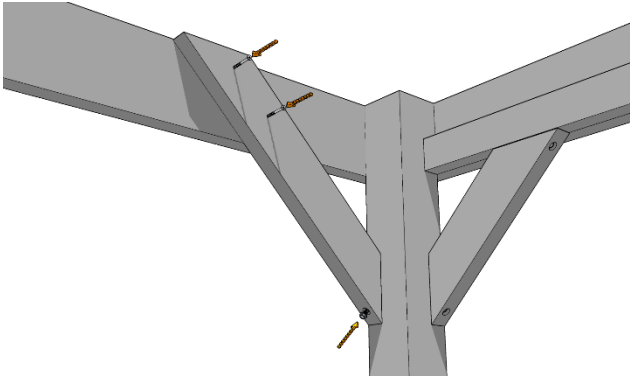
Step 12



To attach the 400mm braces, align them to the underside of the batten on the runner and the lower end to the corner post with 2 x 70mm coachscrews.

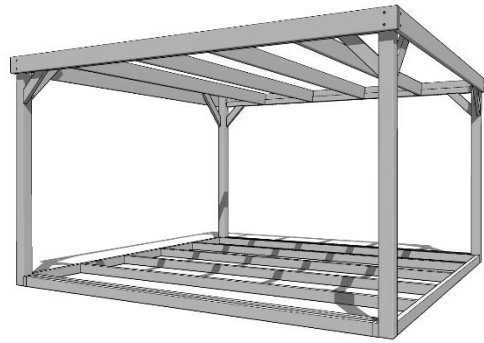
THE BOX PERGOLA & DECKING KIT

Step 13



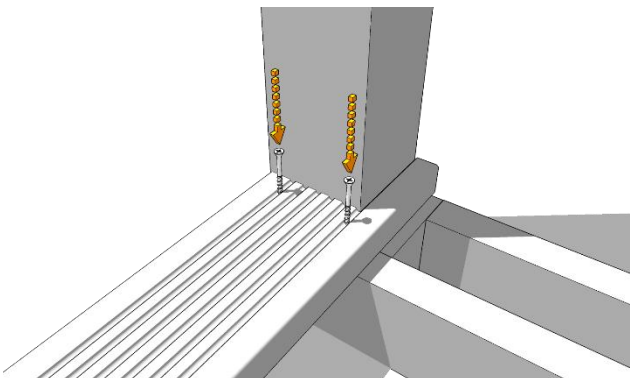
To affix the 600mm braces, align the top end flush with the top of the Outer rafter, and secure with a pair of 65mm woodscrews and then attach the countersunk bottom end to the post with a 70mm coachscrew.

Step 14



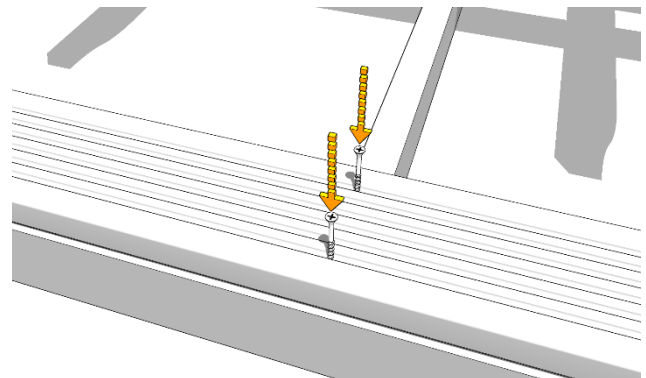
Add all of the braces ready for the next stage – adding the decking.

Step 15



Place one of the Post deck slats so that it runs post to post, perpendicular to the deck frame joists. Make sure the edge is flush with the outer edge of the frame before securing each end in place with 2 x 65mm screws.

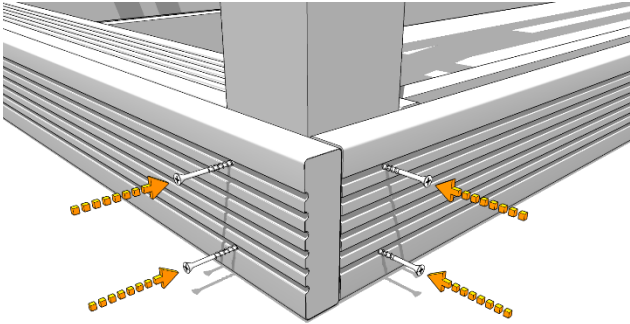
Step 16



Find the most central joist and, having checked the edge of the deck slat is flush with the frame edge (push/pull the slat into place if required) secure in place with 2 x 65mm screws into the joist. Attach the second Post deck slat to the opposite side of the base in the same way.

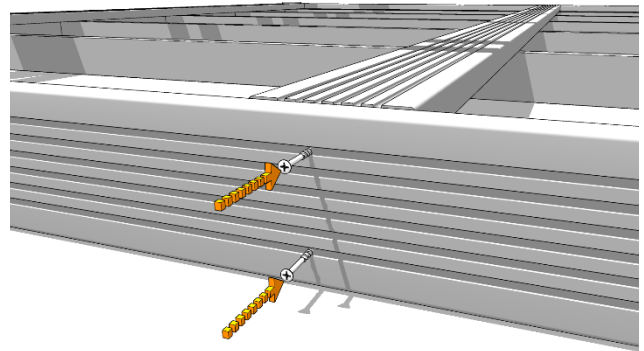
THE BOX PERGOLA & DECKING KIT

Step 17



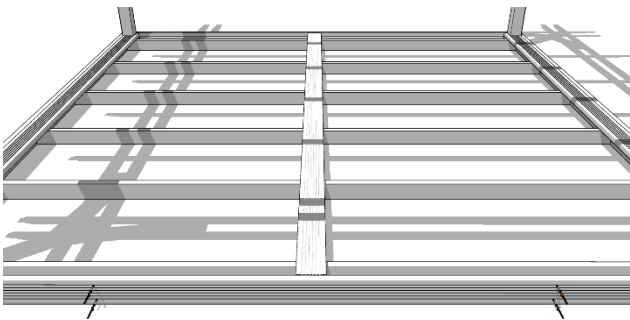
Now arrange the upstand edge decking pieces around the perimeter of the base (note how the longer pieces run parallel to the Post deck slats from the previous Step). Fix the end of each piece into place at each post with 2 x 65mm screws as shown here.

Step 18



Lay one of the deck slats across the base, perpendicular to the joists. Make sure this slat is sitting on the base framework correctly and use this as a guide to ensure the centre of the upstand piece is flush with deck. Push/pull the upstand up or down if necessary before fixing it into place with 2 x 65mm coachscrews.

Step 19



Half way between the post and the frame centre add further intermediate screws to finish securing the upstand edge slats in place. Attach the remaining upstand edge slats using the procedures in Steps 20-22 (rotate the deck piece across the base through 90° as necessary).

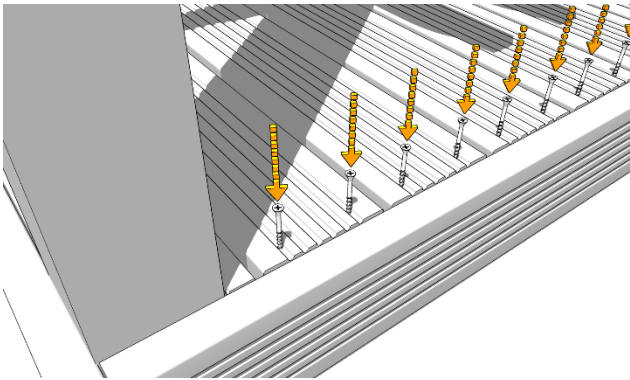
Step 20



Lay out all of the decking pieces across the infill joists and adjust until you have them evenly spaced across the base.

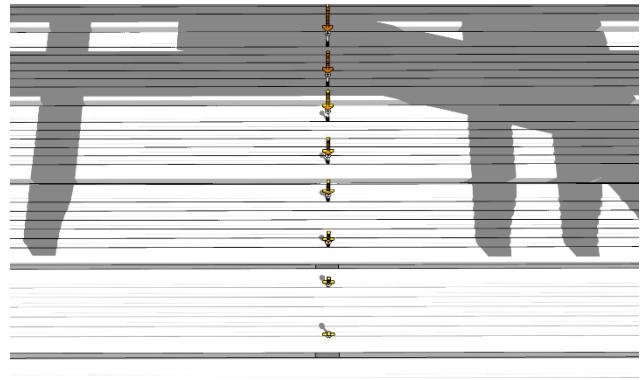
THE BOX PERGOLA & DECKING KIT

Step 21



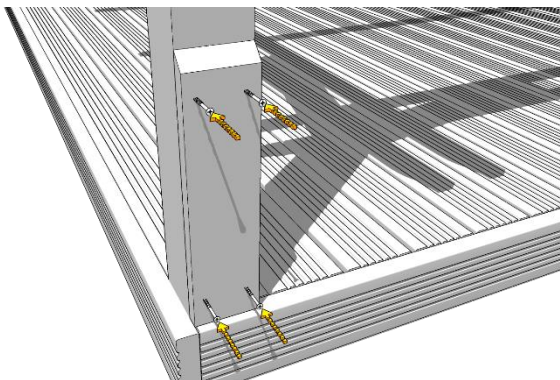
Fix both ends of every slat down with 2 x 65mm screws.

Step 22



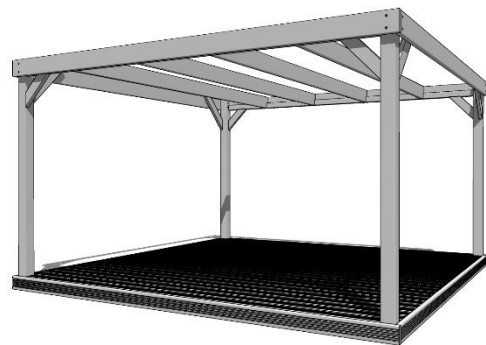
Locate the each of the infill joists by looking through the gaps in between the slats and secure every decking slat to each infill joist with a pair of 65mm screws.

Step 23



If you have ordered optional cladding - Attach four cladding panels to each post by aligning with the post, bevelled face uppermost, and secure in place with 4 x 65mm screws .

Step 24



Your Box Pergola and Decking Kit is now complete.

WE HOPE THAT YOU FOUND YOUR PRODUCT QUICK AND EASY TO ASSEMBLE BUT IF NOT AND YOU REQUIRE ANY FURTHER ASSISTANCE OR HAVE ANY QUESTIONS YOU CAN CONTACT US BY TELEPHONE ON: 01778 440803

EMAIL: INFO@RUTLANDCOUNTYGARDENFURNITURE.CO.UK

WWW.RUTLANDCOUNTYGARDENFURNITURE.CO.UK

Rutland County Garden Furniture Ltd, Ashbourne House, 2 Dovecote Meadows,
Aslackby, Sleaford, Lincs, NG34 0HZ.
Company No: 11025348 VAT No: 282569762