



RUTLAND COUNTY
GARDEN FURNITURE

Hand-Crafted

Assembly Instructions

Rutland Premium Corner Pergola

Before you commence the assembly process, we recommend that you read these instructions thoroughly beforehand to familiarise yourself with the assembly process and to also check that you have the correct components. If for any reason you need assistance, you can find our contact details on the final page of these instructions.

We strongly recommend that any assembly is carried out on an open flat, level surface if possible and with sufficient space. You will also require the assistance of at least 2 adults to complete assembly safely.

If for any reason you don't feel confident in completing this project, we would recommend consulting a qualified professional to undertake the work.

Tools required:


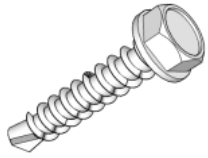
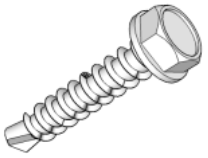
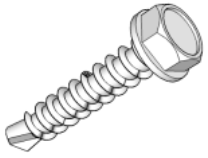
10mm socket, No2 Pozidriv screwdriver (or electric driver), step ladder or platform.

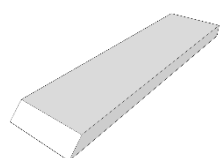
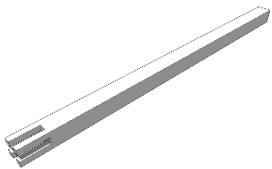
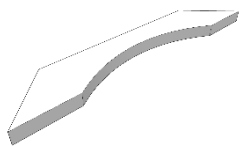








The Rutland Premium Corner Pergola

Rutland Premium Corner Pergola

Component list

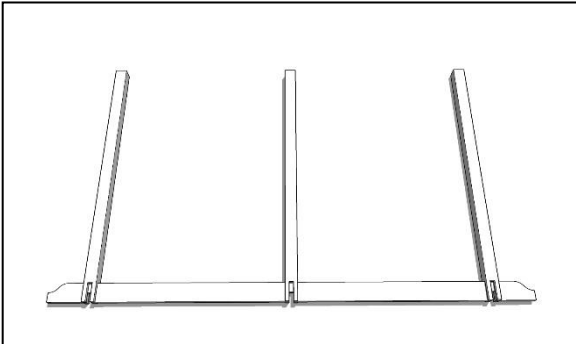
65mm woodscrews	70mm coachscrews	120mm coachscrews	200mm coachscrews
			

Cladding	Posts	Braces	
			

Rafter and runner timbers		
A		x1
B		x1
C		x2
D		x1
E		x3
F		x2

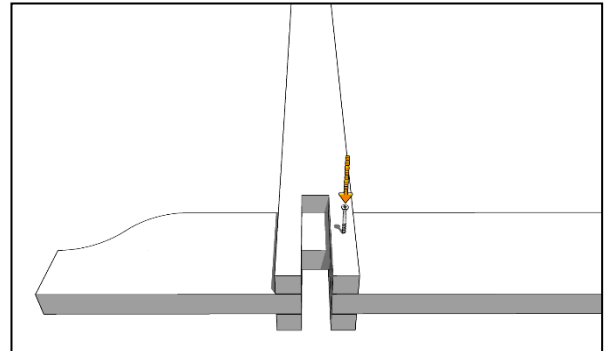
Rutland Premium Corner Pergola

Step 1



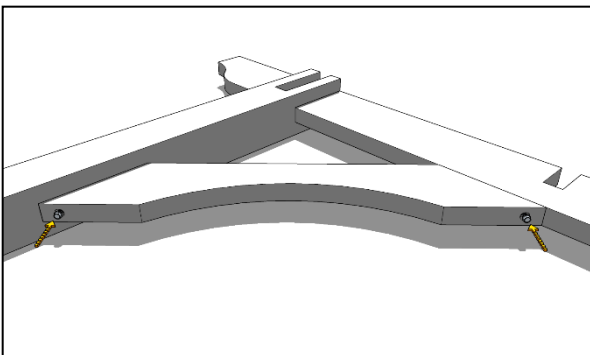
Lay runner "A" on a flat, level surface and then, using the end and centre slots on the runner as a guide, slide the posts on to it as shown.

Step 2



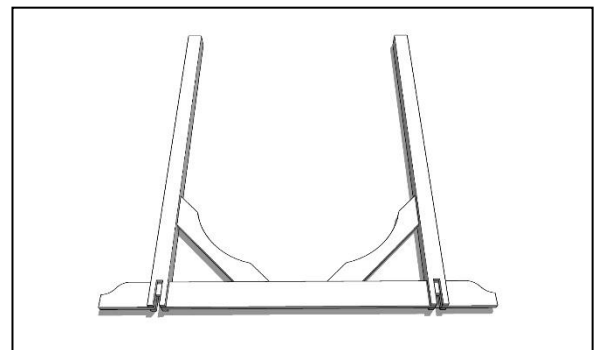
Make sure the post is correctly aligned and square to the runner before securing into place with a 65mm woodscrew. Repeat this process for the remaining 2 posts.

Step 3



To add braces where a post and runner meet, butt their angled faces against the post and underside of the runner, aligning it centrally against the post before fixing into place with a 70mm coachscrew through each end as shown here.

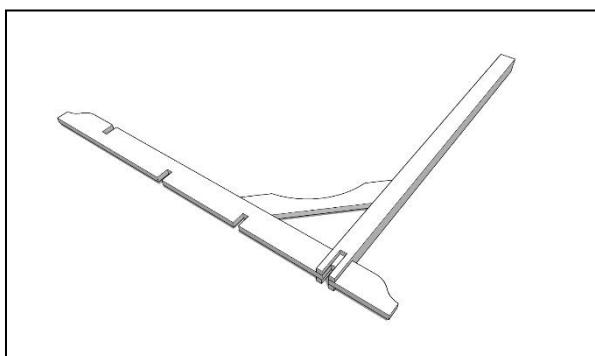
Step 4



Carry out the same procedure as the previous steps with runner "B" and 2 more posts and braces.

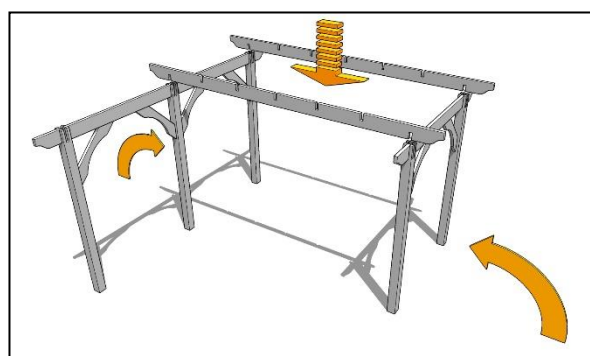
Rutland Premium Corner Pergola

Step 5



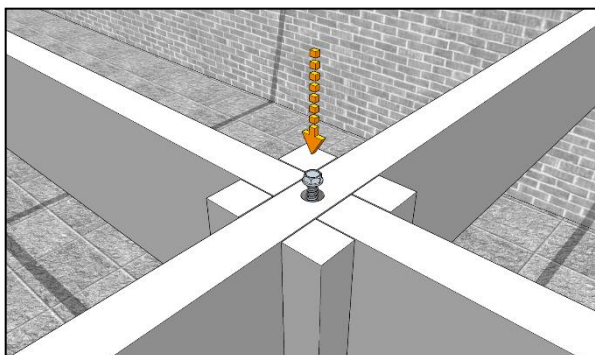
Attach a post and brace to runner "D" as shown here, noting that the slot at the opposite end to the posts is on the bottom face of the runner.

Step 6



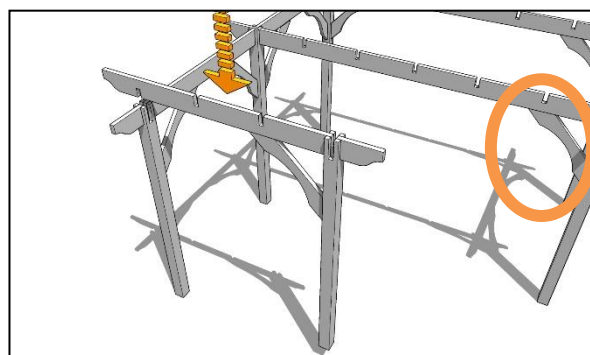
Using your assistants, arrange the two assemblies from Steps 1 and 4 opposite each other as shown and around the same distance as a long timber apart. Drop the two rafter "C" timbers into the appropriate slots so that they fully house in the top of the posts. **Tip:** Adjusting the position of the various components to keep them at right angles will aid the easing of the timbers into the slots.

Step 7



To secure a rafter/runner timber down, secure both ends by driving a 200mm coachscrew down into the post.

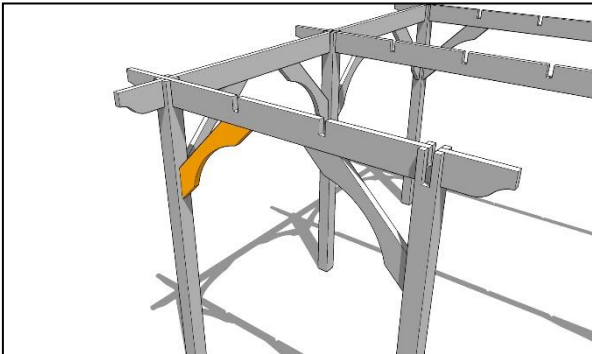
Step 8



Now add the assembly from step 5 by raising it slightly over the end of the structure and then lowering the end of the runner into position on the post slot as shown. Add a brace to the central "C" rafter.

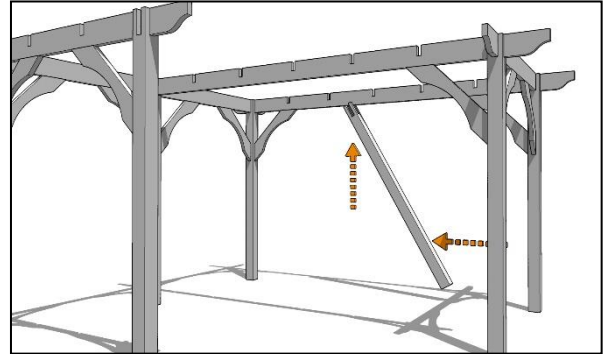
Rutland Premium Corner Pergola

Step 9



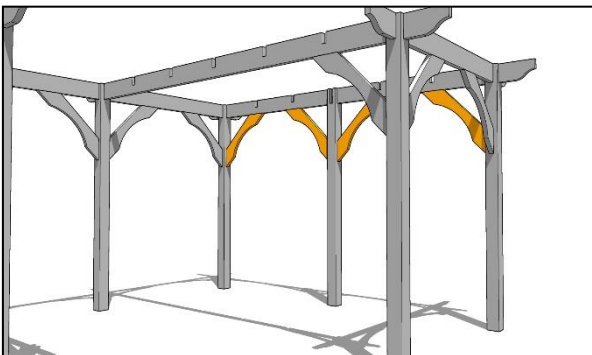
Secure the runner down into the post with a 200mm coachscrew. Add the highlighted brace.

Step 10



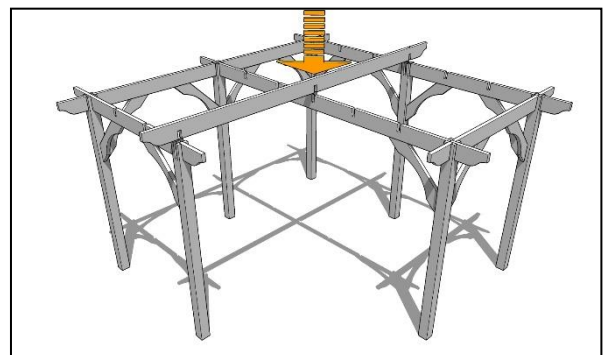
On the opposite side of the structure, manoeuvre a post into position so that it fits onto the underside of the runner, slots aligned and in the vertical position...

Step 11



...as shown here. Secure it into position with a 65mm woodscrew (as in Step 2) and add 4 more braces.

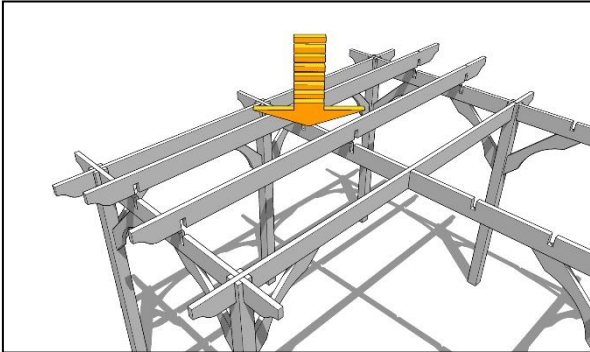
Step 12



Add one of the "E" rafters across the centre of the structure, slotting it into place and securing each end with a 200mm coachscrew and the centre joint with a 120mm coachscrew.

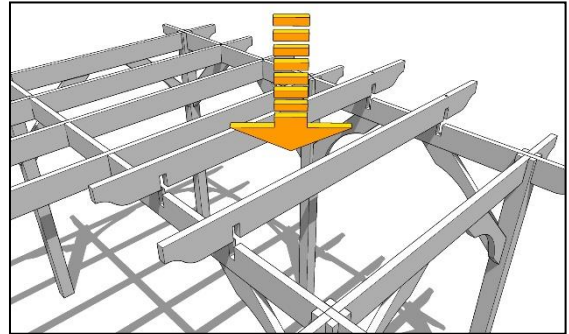
Rutland Premium Corner Pergola

Step 13



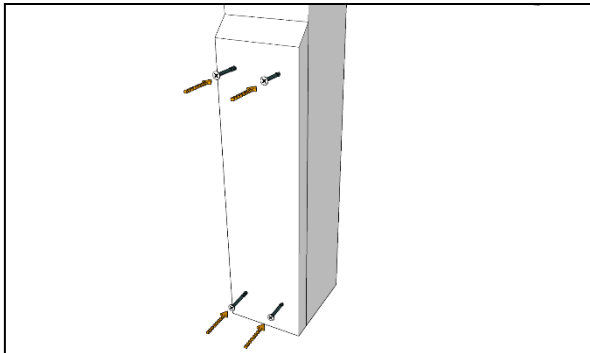
Add the remaining "E" rafters to the structure, securing them at each end and the centre with a 120mm coachscrew.

Step 14



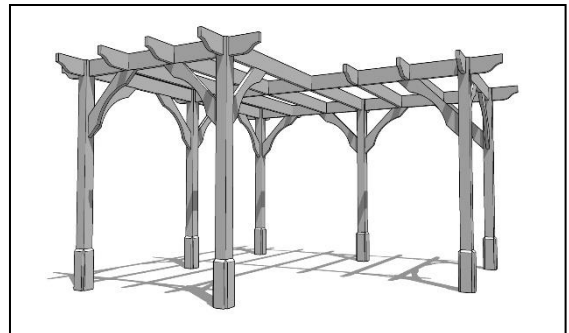
Add the 2 x shorter "F" rafters, securing each end in place with a 120mm coachscrew.

Step 15



To attach cladding panels simply align as shown at the base of the post before screwing into place using 4 x 65mm woodscrews through the pre-drilled holes per panel. Repeat for each face of the post.

Step 16



Your pergola is now complete.

We hope that you found your product quick and easy to assemble but if not and you require any further assistance or have any questions you can contact us by telephone on: **01778 440803**

Email: info@rutlandcountygardenfurniture.co.uk

www.rutlandcountygardenfurniture.co.uk

Rutland County Garden Furniture Ltd, Ashbourne House, 2 Dovecote Meadows,
Aslackby, Sleaford, Lincs, NG34 0HZ.
Company No: 7670072 VAT No: 151744027