



RUTLAND COUNTY
GARDEN FURNITURE

Hand-Crafted

ASSEMBLY INSTRUCTIONS

RUTLAND POND RANGE

Before you commence the assembly process, we strongly recommend that you read these instructions thoroughly beforehand to familiarise yourself with the assembly process and to also check that you have the correct components. If for any reason you need assistance or you believe anything is missing, you can find our contact details on the final page of these instructions.

As with all DIY projects ensure that all necessary health and safety precautions are taken such as, but not limited to, the wearing of gloves, goggles, masks and appropriate footwear – particularly if you intend to use power tools.

If for any reason you don't feel confident in completing this project, we would recommend consulting a qualified professional to undertake the work.

Tools required:

No2 Pozidriv screwdriver (or electric driver), Measuring tape, Scissors, Hammer and block or Mallet, Spirit level or Laser, Craft knife, Caulking gun (optional).



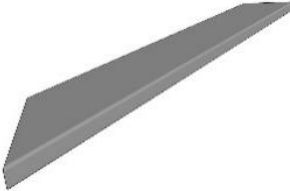
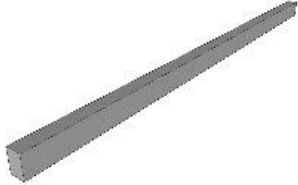
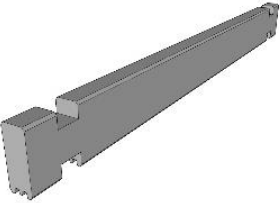
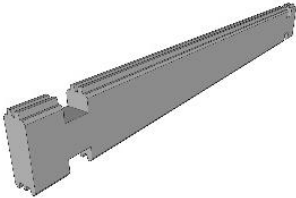
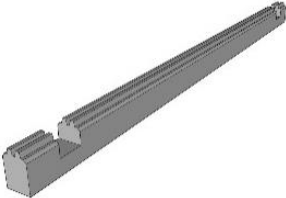
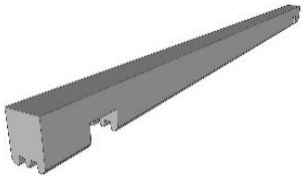
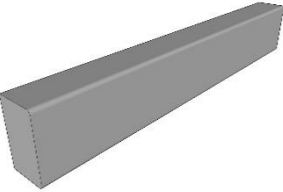
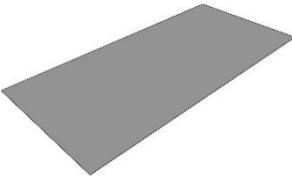
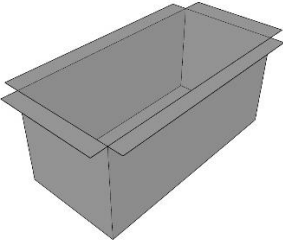
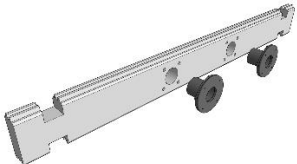


THE RUTLAND POND RANGE

RUTLAND POND RANGE

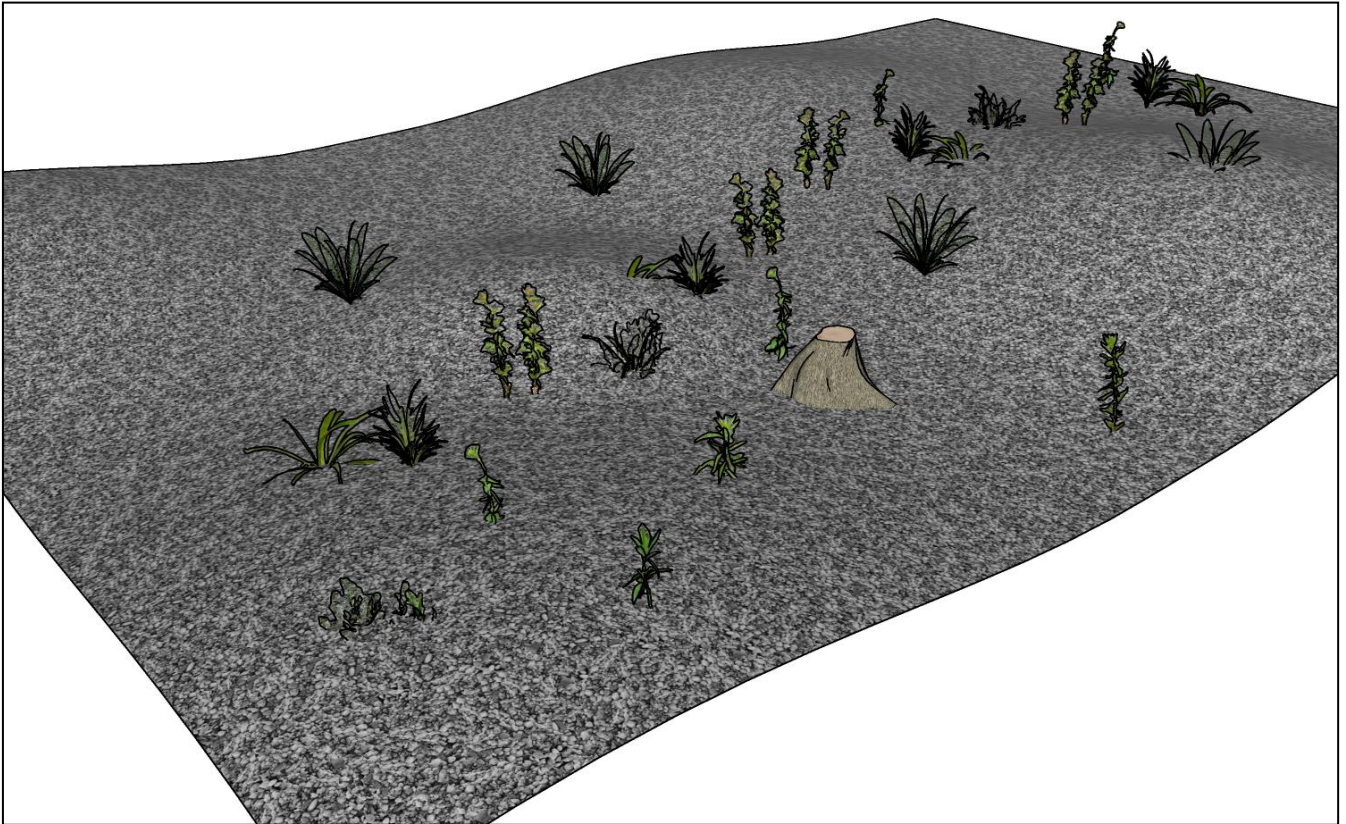
Component List

The quantity of components in your kit will depend on the particular model you have purchased. Octagonal models will have wall planks with ends and slots at 45°.

50mm woodscrews	70mm woodscrews	Capping	Liner stay
			
Full plank - Top	Full plank - Main	Half plank - Bottom	Half plank - Top
			
Half post	Underlay	Liner	Filter plank and fittings (optional)
			

RUTLAND POND RANGE

Preparation 1



Preparation

Before commencing assembly of your pond kit it is essential that the base for your pond is properly prepared - flat, smooth and strong enough to support the pond and its contents. It is critical that the area is absolutely level as any discrepancy here will result in a pond where the water level is higher on one side or end.

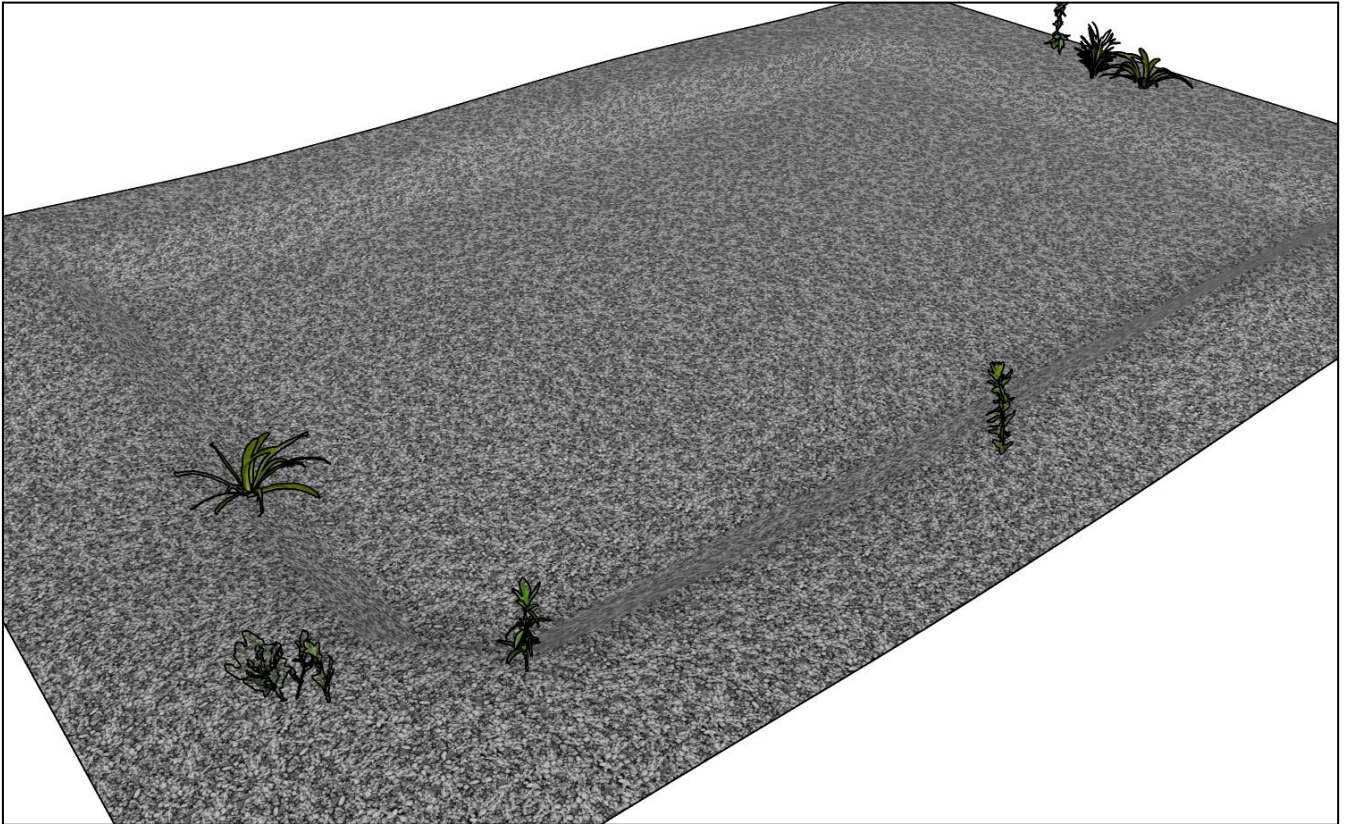
When choosing the final location for your pond there are a few **important factors to consider...**

Ideally a pond shouldn't be too far from the house - that way you can also enjoy it from indoors and keep an eye out for any issues that may develop such as leaks, predators etc. Being close to the house may also help with getting an electricity supply to the pond for filtration, pumps, lighting etc.

The right balance of sunlight and shade is also worth considering, especially if you are intending to place plants in your pond and it is also worth considering the effect of any trees or shrubs in the vicinity. Leaves and other vegetable matter falling into the pond can be a real nuisance in the autumn and the roots of a nearby tree will grow over time, potentially under the pond.

RUTLAND POND RANGE

Preparation 2

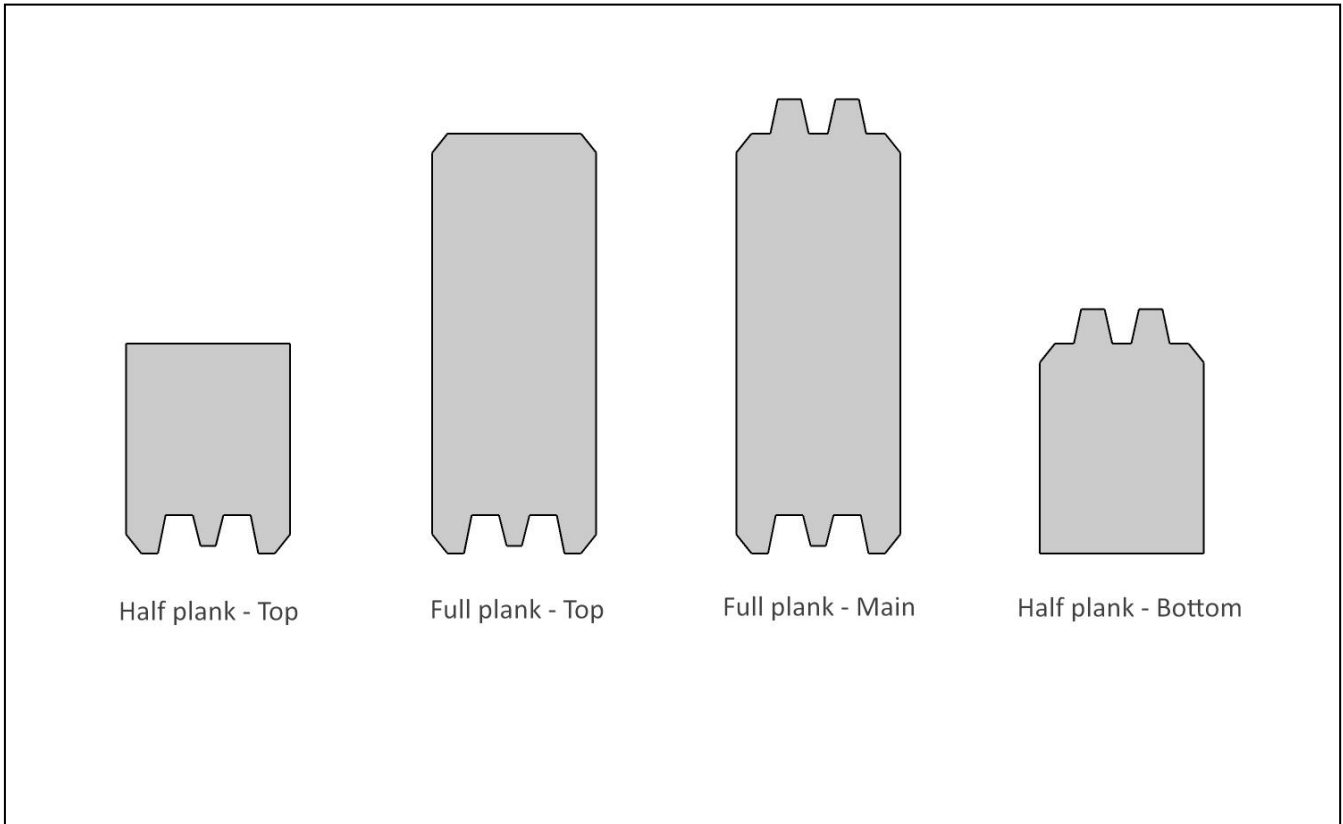


Choose a base type

- **Prepared ground** – Remove any vegetation, tree roots, rock, stones, debris etc leaving an area of flat, level subsoil that is at least as big as the footprint of your pond. Use a long, straight piece of timber with a spirit level (or a laser) to ensure that the area is as level as possible.
- **Concrete pad** – Create a concrete pad on undisturbed, sound subsoil at make it at least 100mm thick, preferably with a steel reinforcement grid. The base should be at least 300mm larger than the overall footprint of your pond and the finished pad should be absolutely level, flat and smooth. Let the concrete completely cure before commencing any pond assembly.
- **Existing patio or paving** – A large enough area of flat, good condition patio or paving that has a concrete or compacted stone/sand sub-base can also make a suitable base. Ensure that there are no areas of weed, moss etc between the slabs or pavers and that none of them are loose or displaced in any way. Any missing grout should also be replaced or filled with sand.

RUTLAND POND RANGE

Preparation 3



Wall planks

The pond construction employs 4 basic types of wall plank which are shown above.

A square or rectangular pond kit will have **2** each of the Half plank – Top, Full plank – Top and Half plank – Bottom components. The rest of the kit being made up of Full plank – Main sections.

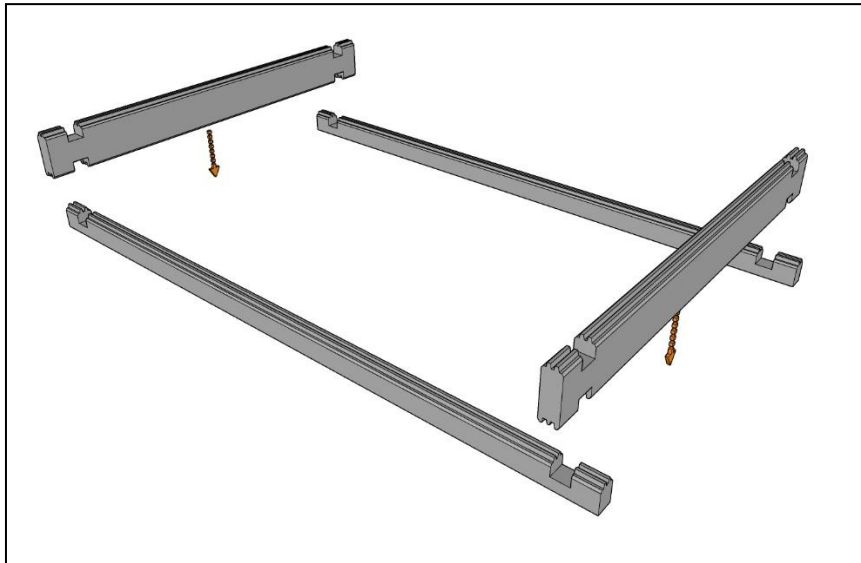
The octagonal pond kits will have **4** each of the Half plank – Top, Full plank – Top and Half plank – Bottom components. The rest of the kit being made up of Full plank – Main sections.

When to build

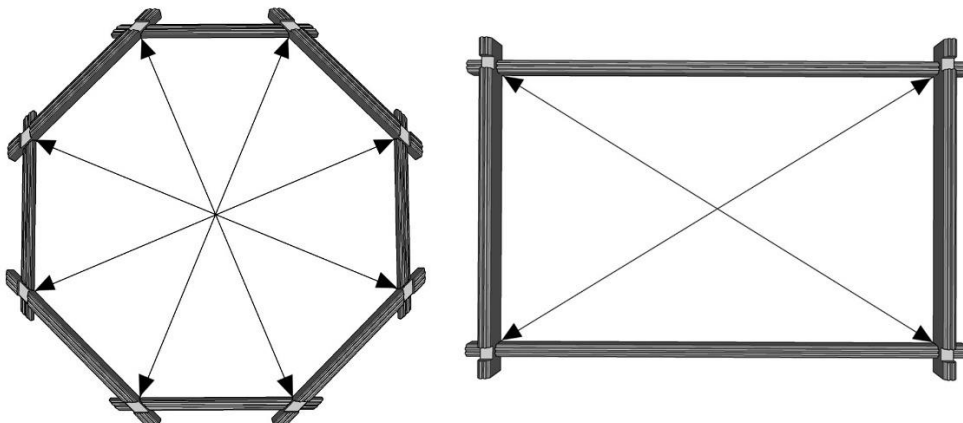
We would always advise commencing your build as soon as you can after receiving your kit to prevent any warping of the timbers which can happen if they are stored for too long. Try to start early and pick a warm day – this helps when installing the liner and also gives the best chance of completing the project in a single day.

RUTLAND POND RANGE

Build Step 1



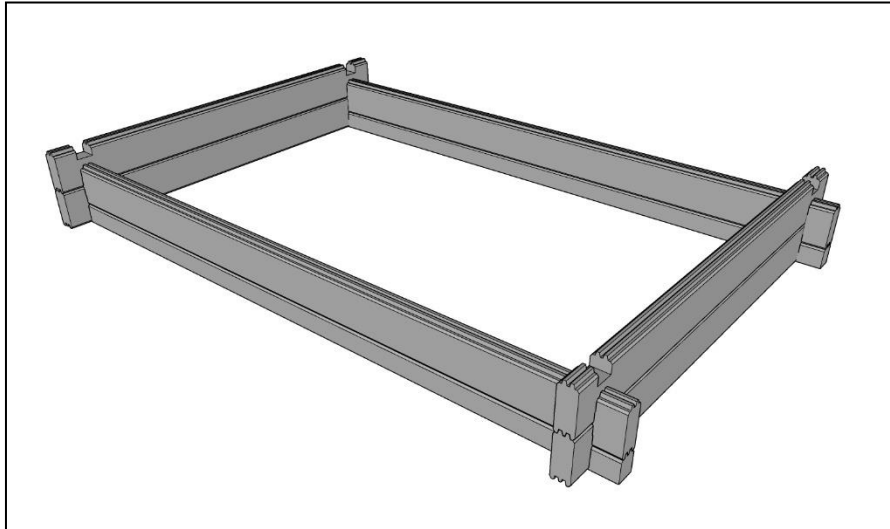
Begin the build process by laying out the bottom layer which will consist of Half plank – Bottom and Full plank – Main sections. The “tongues” of each piece will always be uppermost. Slot the pieces together then check the finished layer is level. If any vertical adjustment is necessary to get the layer level use thin wooden shims to pack the gap.



It is important to also check that this layer is square by measuring across the various diagonals as shown above and ensuring these measurements are the same both ways by adjusting the position of the joints by pushing/pulling at the diagonals.

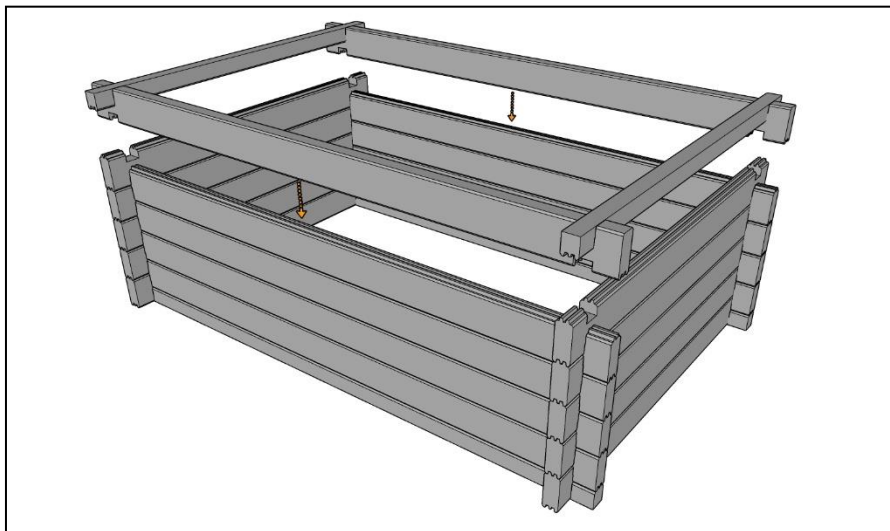
RUTLAND POND RANGE

Build Step 2



Once you are happy that the bottom layer is level and square start adding more layers by adding the remaining Full plank – Main pieces. If a piece doesn't fit easily then try swapping for another. If a joint is slightly snug, you may *gently* tap the piece into place using a wooden/rubber mallet or a hammer and piece of scrap timber.

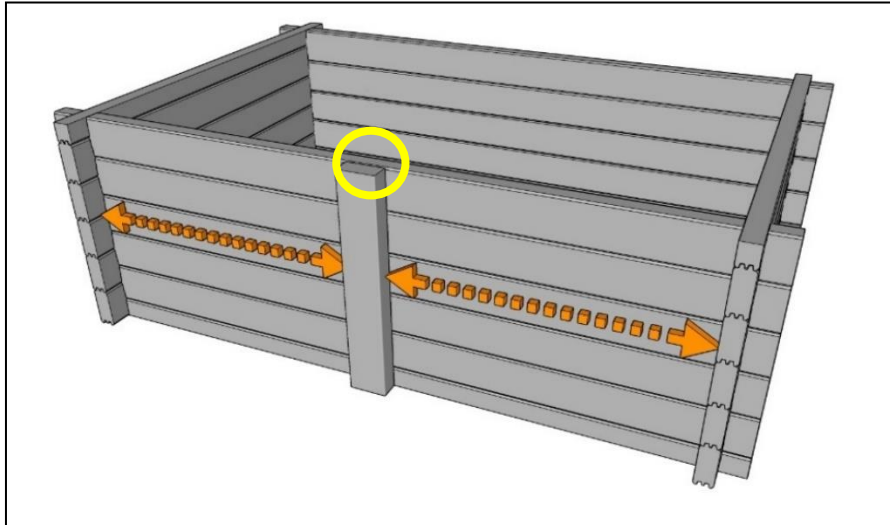
Build Step 3



If you have also purchased a filtration plank for your pond skip forward to page 16 now to check how to install it correctly then return to this step. Add the top planks (and the filtration plank if necessary) to complete the walls of the pond.

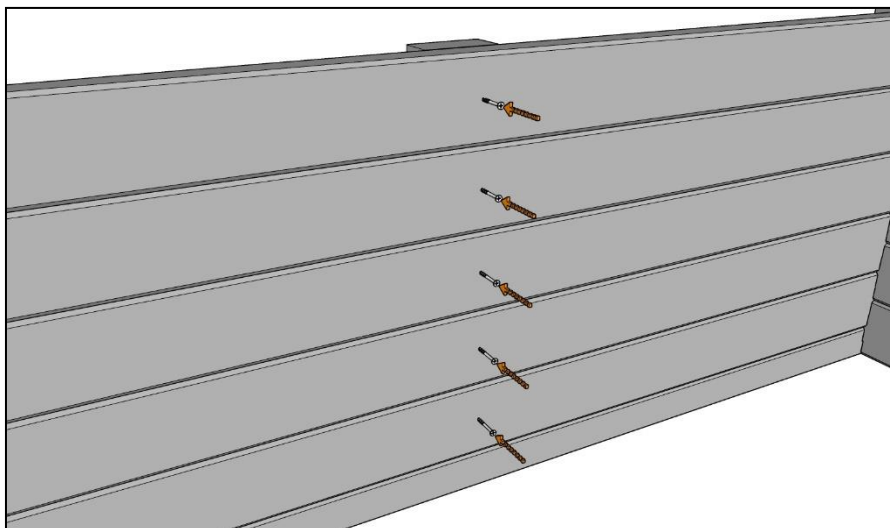
RUTLAND POND RANGE

Build Step 4



On larger models a half post is supplied for each of the longer sides. The top face of the longer Top plank sections is marked at its half-way point to aid you in lining up the post in the centre of the longer wall.

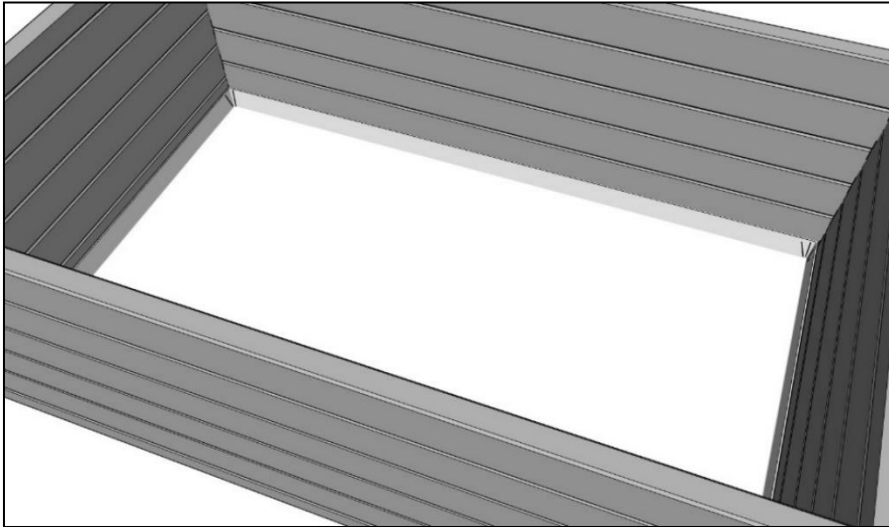
Build Step 5



Once you are satisfied that the post is centred, fix it in place with a 70mm screw driven through the top section of wall into the rear of the post. Check that the post is vertical with a spirit level before adding further screws into the remaining wall planks.

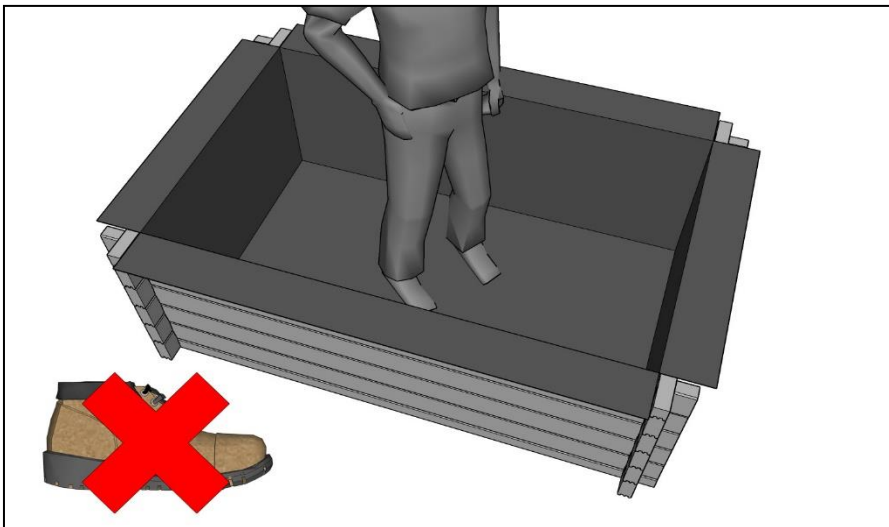
RUTLAND POND RANGE

Build Step 6



Take the supplied underlay sheet and lay it out on the floor of the pond, removing any creases, folds etc as you go. Once you are satisfied that the underlay is as flat as you can get it tuck it as neatly as possible into any corners and then trim with scissors so that there is around 50 – 75mm covering the bottom of each wall.

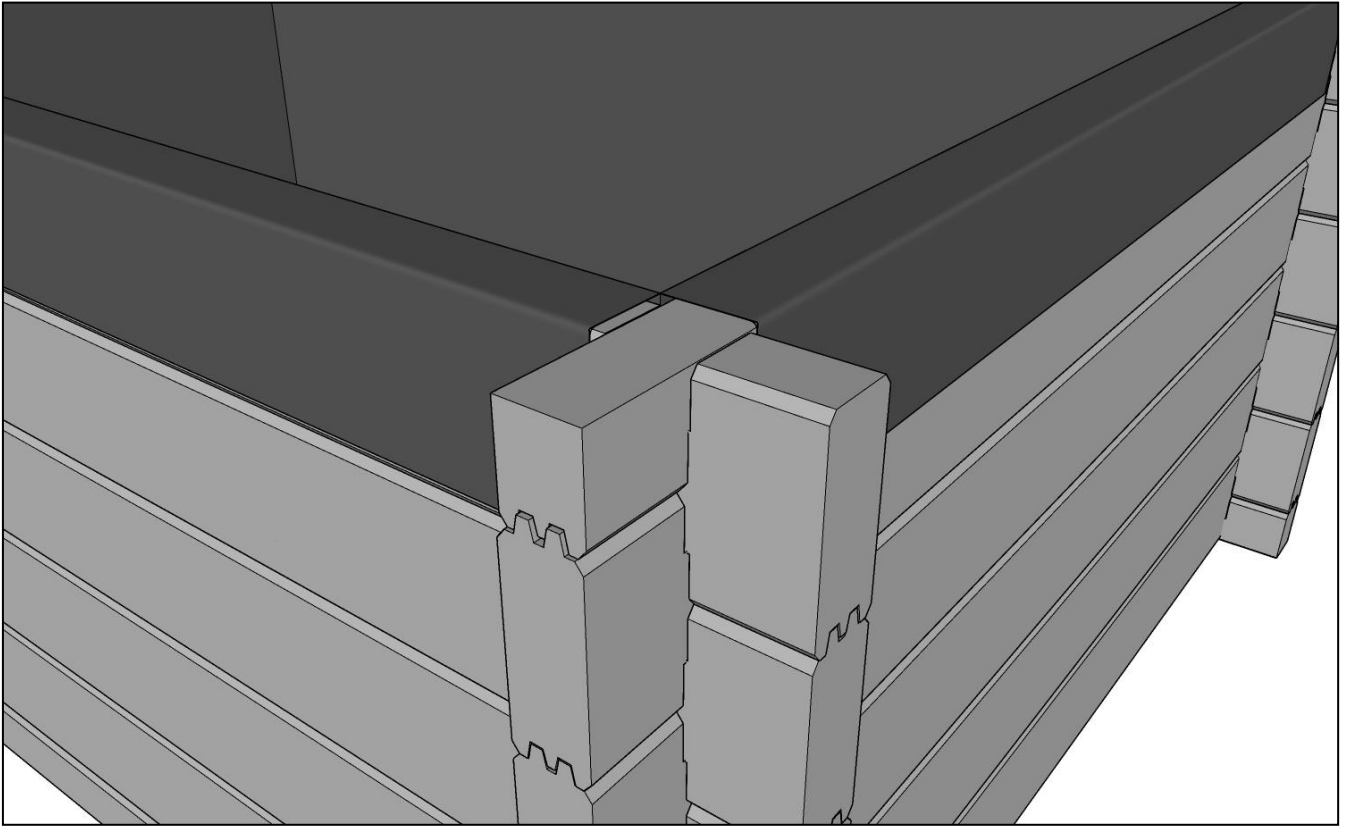
Build Step 7



Remove your footwear for the next step but keep your socks on! Get in the pond with the liner, unwrap it and manoeuvre it into position so that the floor and walls line up in the correct positions. You can help slide the liner into position with your feet, gently pushing it across the underlay and gradually perfecting the fit and removing as many wrinkles as creases as you go.

RUTLAND POND RANGE

Build Step 9



Fixing the liner in place

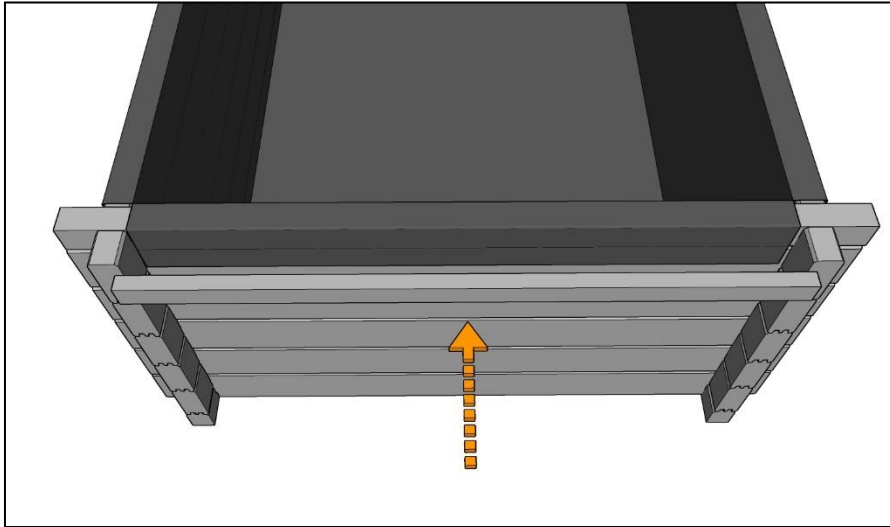
The Square and Octagonal ponds have slightly different methods for securing the liner in place.

Square corners

When you are happy that the liner is in position and as wrinkle free as possible you can start securing it in place by folding the flaps over the edge of the wall as shown. Don't pull so hard that you are lifting the liner up the wall, just enough so the joins in the corners of the liner sit flush with the top edge of the wall.

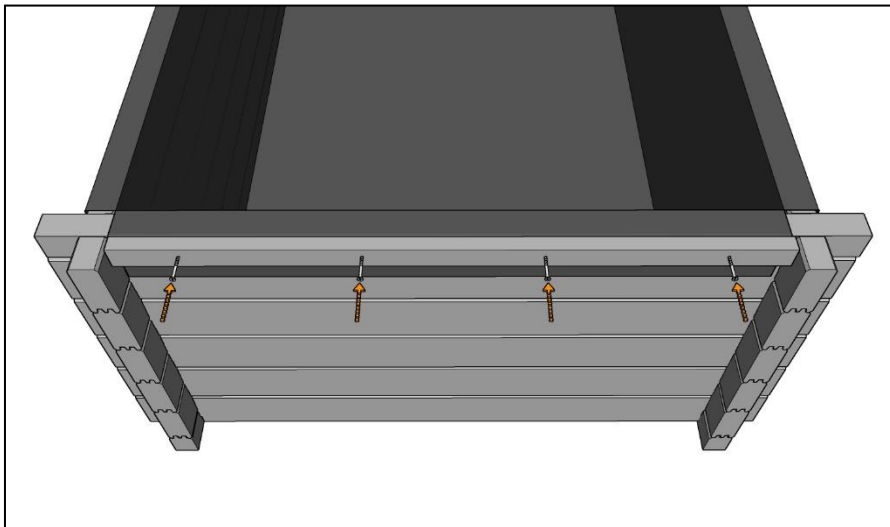
RUTLAND POND RANGE

Build Step 10



Now secure each flap in place with a liner stay of the correct length.

Build Step 11

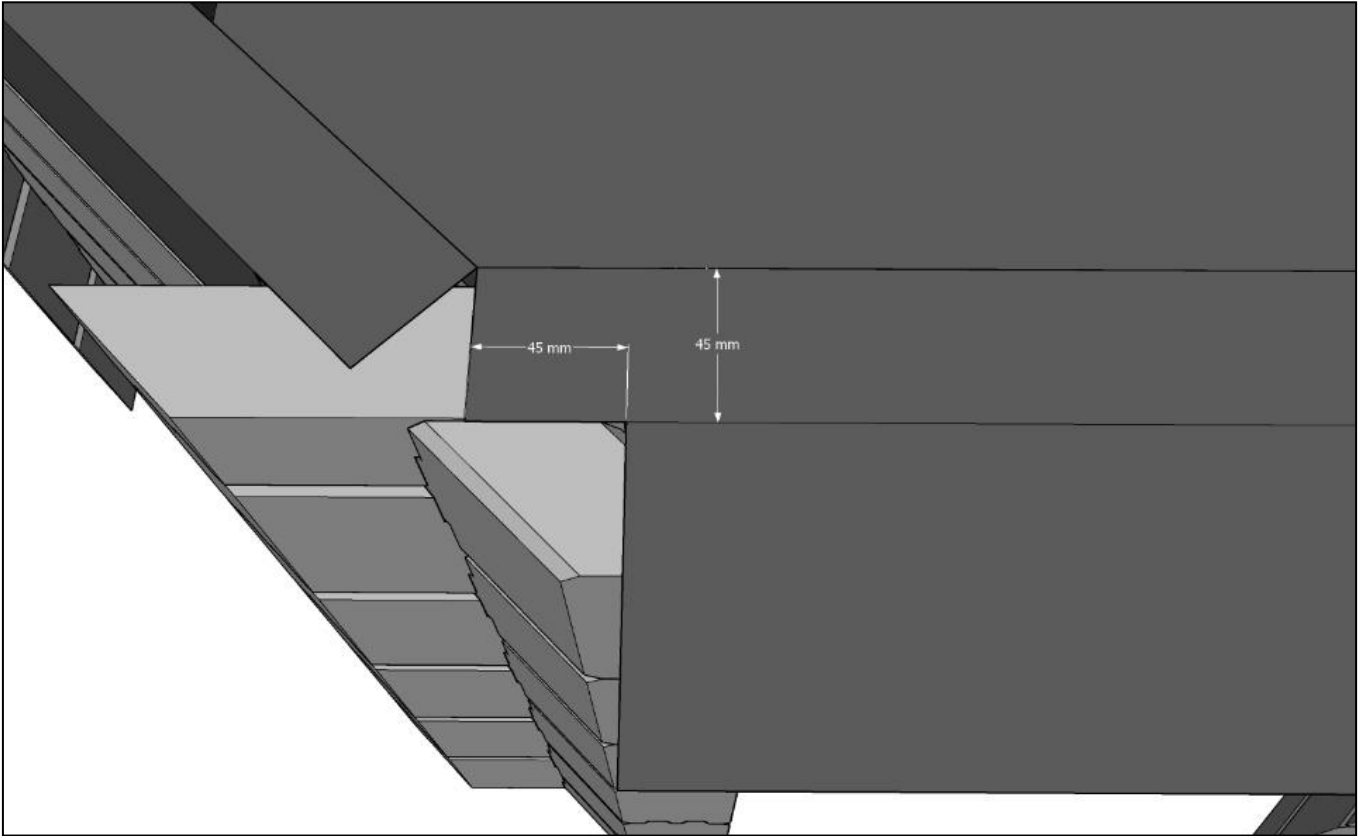


Line the top edge of the stay with the top edge of the wall and fix each liner stay in place with 50mm screws into the pre-drilled holes.

RUTLAND POND RANGE

Build Step 12

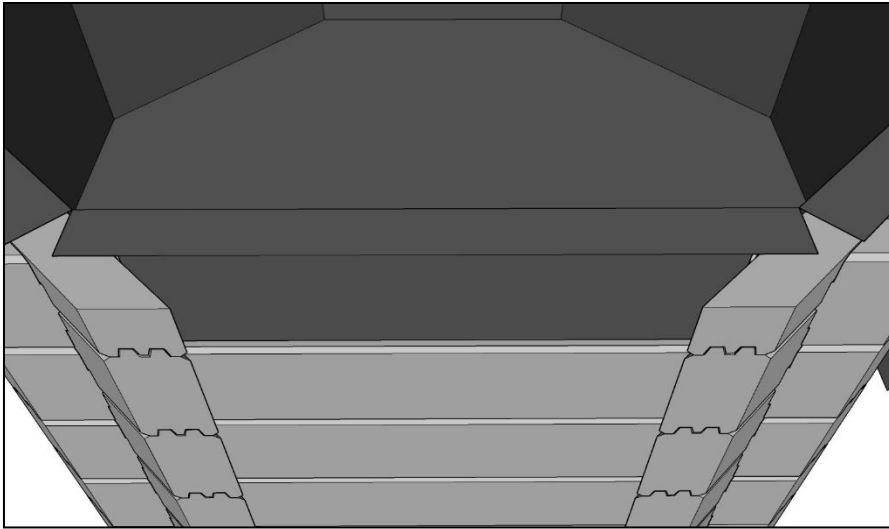
Octagonal corners



The flaps on the octagonal versions will require trimming to fit so they fold neatly into place. At each end of the flap find where the flap meets the outer edge of the wall. At this point cut in from the edge of the flap around 45mm using scissors or a craft knife and then make another cut parallel to the edge of the flap as shown above (around 45mm from the edge), This will allow the flap to tuck in behind protruding wall ends as shown in the next step.

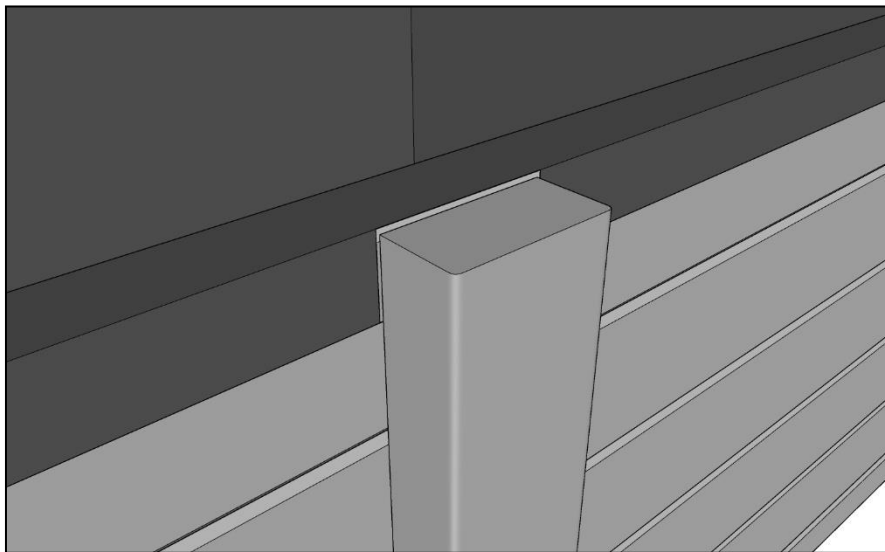
RUTLAND POND RANGE

Build Step 13



The trimmed flap will now fold down neatly between the protruding wall ends.

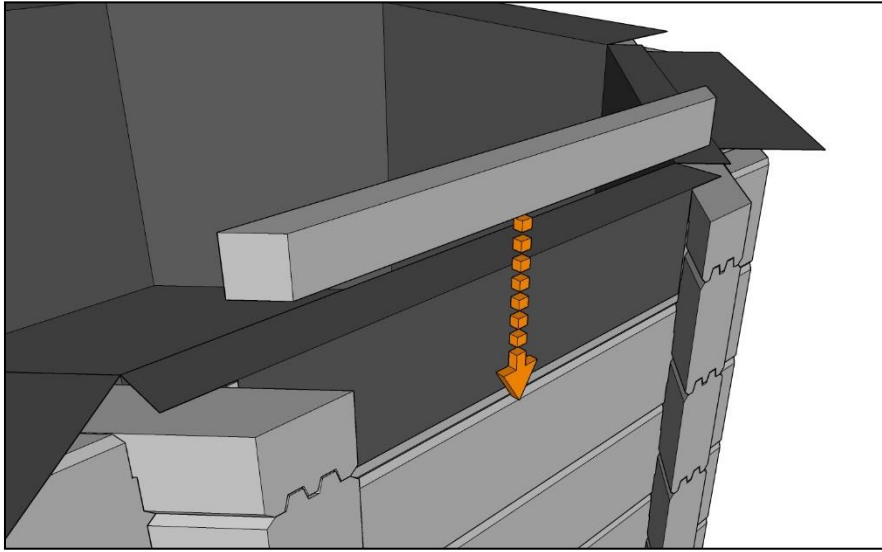
Build Step 14



Also remember to trim around the Half post if installed.

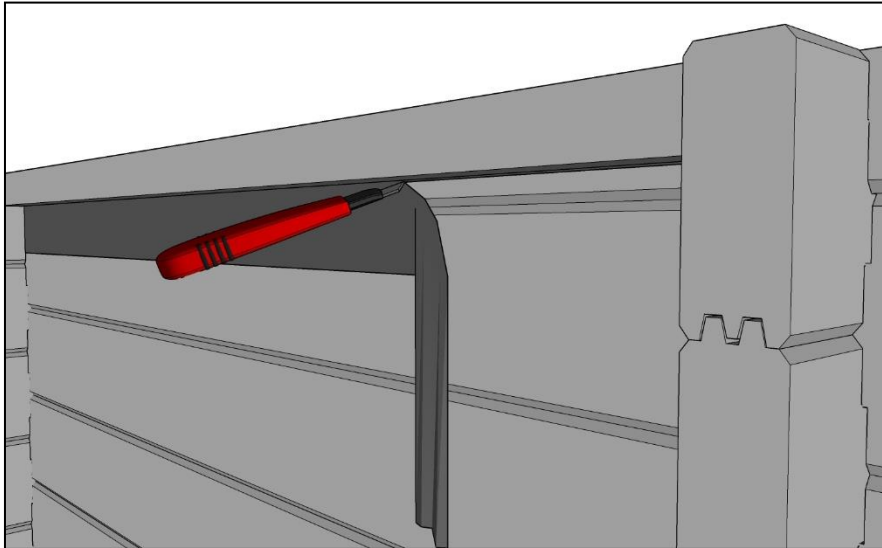
RUTLAND POND RANGE

Build Step 15



The liner stay can now drop down vertically over the flap into the gap between the protruding wall ends as shown here. Line up the top edge of the stay with the wall and fix in place with 50mm screws into the pre-drilled holes.

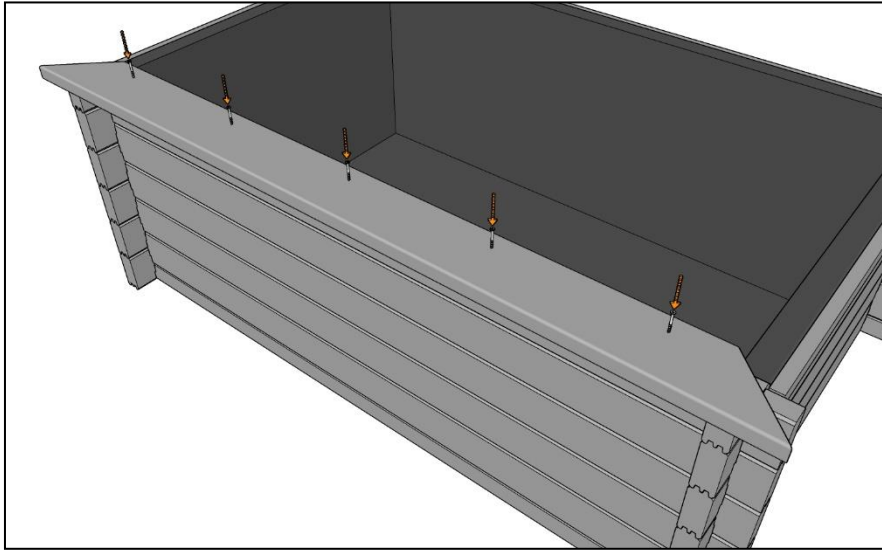
Build Step 16



Any excess liner visible beneath the liner stays can now be removed by trimming with a sharp craft knife.

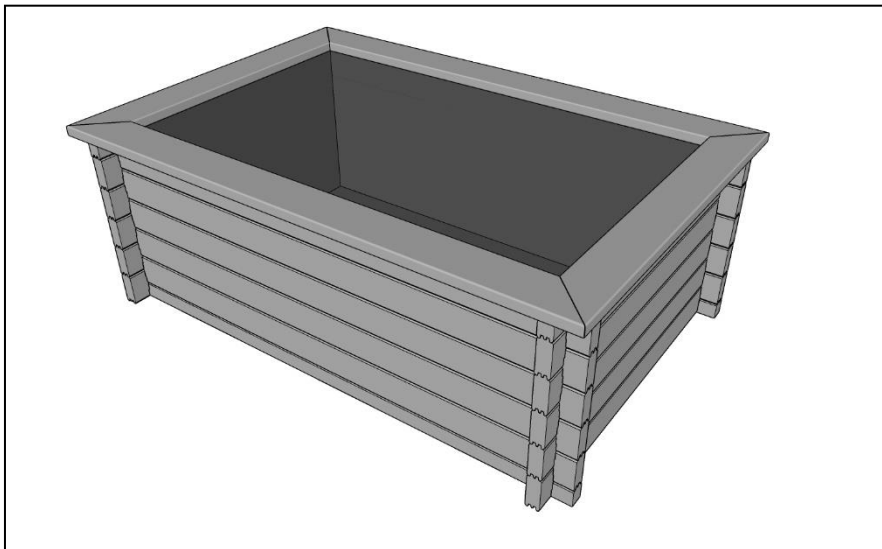
RUTLAND POND RANGE

Build Step 17



Now place all of the capping pieces in place on top of the pond wall and adjusting their position until all of the corners line up correctly and it is aligned so that the overhang is consistent around the whole perimeter. Fix each section into place using 70mm screws into the pre-drilled holes. **Note:** There will be one capping piece that has routed channels in the underside. This is to allow cables to enter the pond without being draped over the side. Bear this in mind when positioning your capping.

Build Step 17

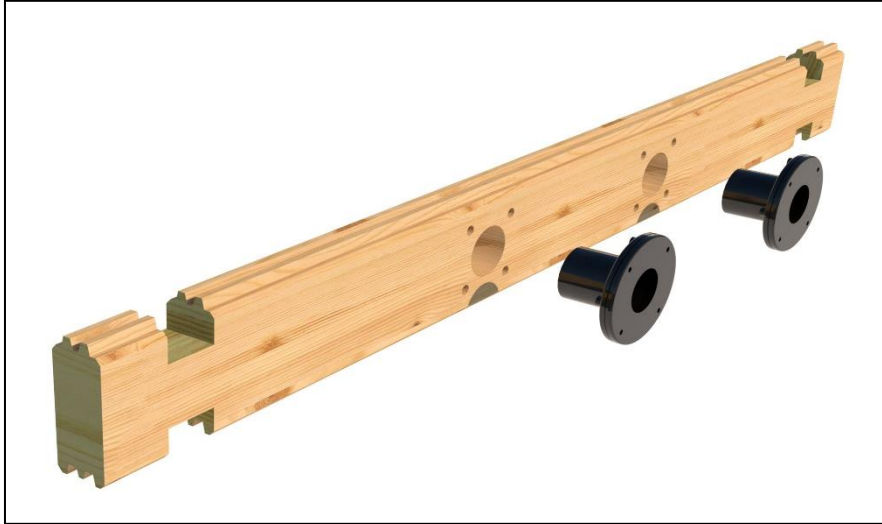


Your Rutland pond is now complete. If you are fitting a filtration plank return now to Step 5 of the Filtration plank instructions on page 18.

RUTLAND POND RANGE

Filtration Plank Kit

Step 1



The kits consists of the filtration plank itself, 2 back fittings, 2 faceplates and 8 fixing screws.

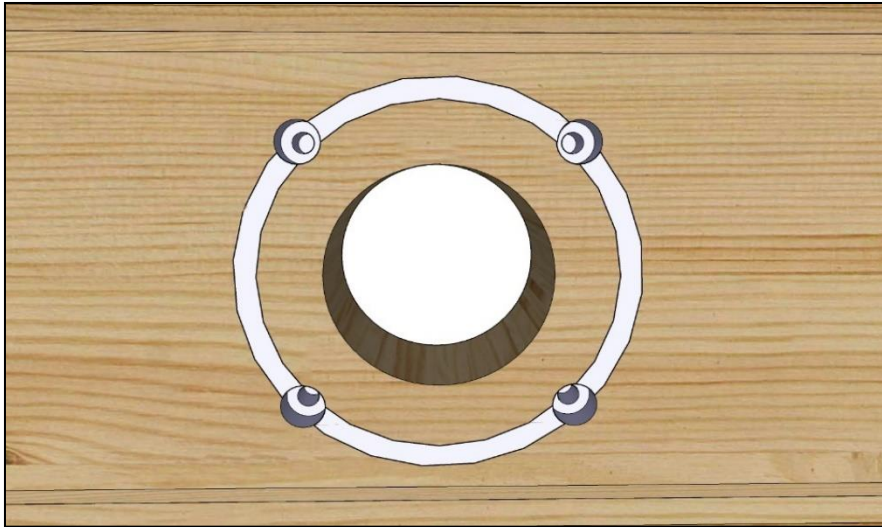
Step 2



The Filtration plank should be placed near to the top of the pond wall unless otherwise specified in the filter instructions. Ensure the four screw recesses around each of the fitting holes are positioned on the inner side of the pond wall.

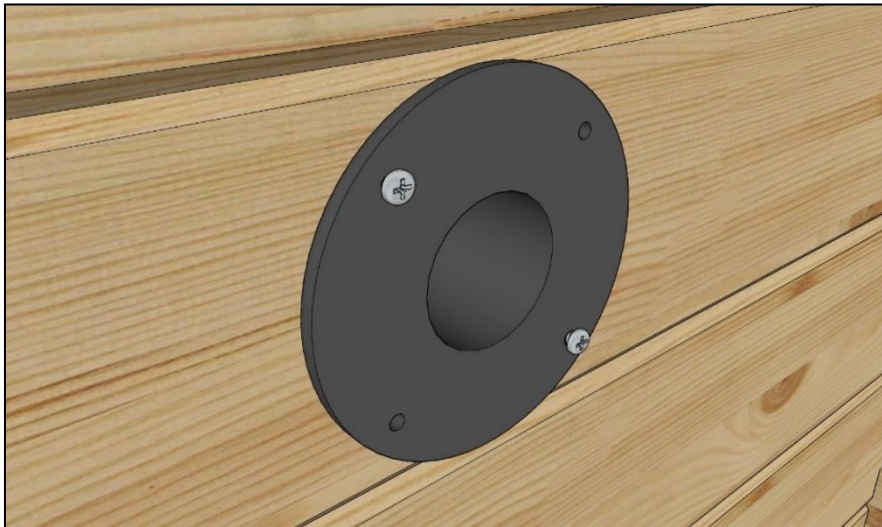
RUTLAND POND RANGE

Step 3



Start by applying a bead of fish safe silicone sealant around each fitting hole as shown above. A Google search for “aquarium silicone” should enable you to find a suitable sealant such as Bond It HA6.

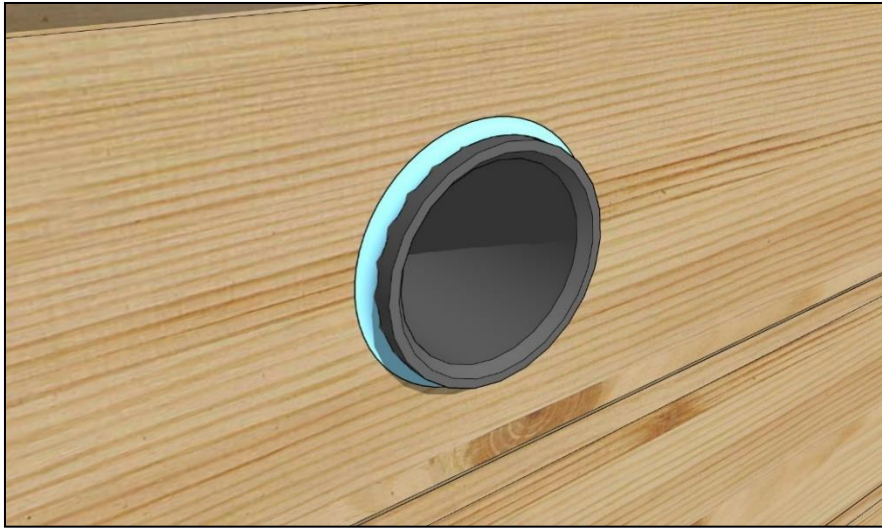
Step 4



Insert a Back fitting into each hole, inserting the lugs on the back of the fitting into the recesses on the filtration plank and pushing firmly into place to ensure a good seal. Now insert 2 of the supplied screws into the fixing holes of both fittings, diagonally opposite each other as shown and screw in until there is 2-3mm of the shank left showing under the heads and the screw head slots face North/South and East/West.

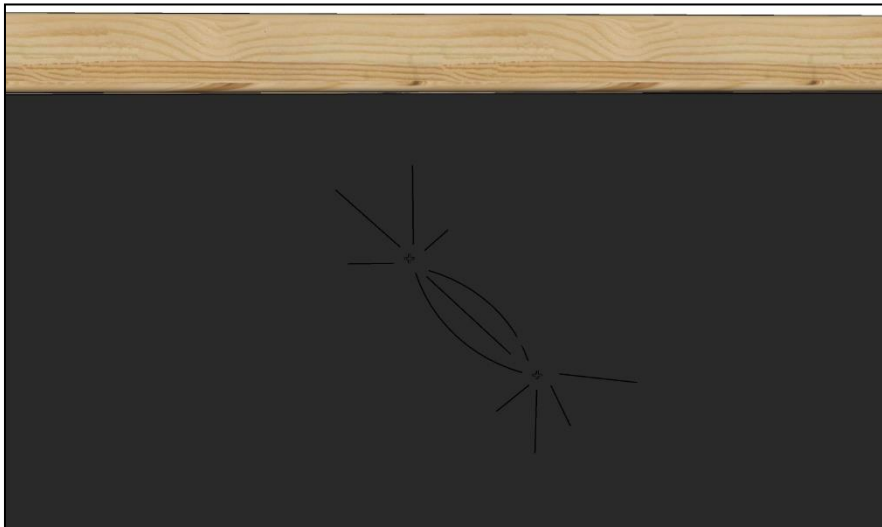
RUTLAND POND RANGE

Step 5



Add a bead of silicone around the outer end of the back fittings and smooth as shown here.

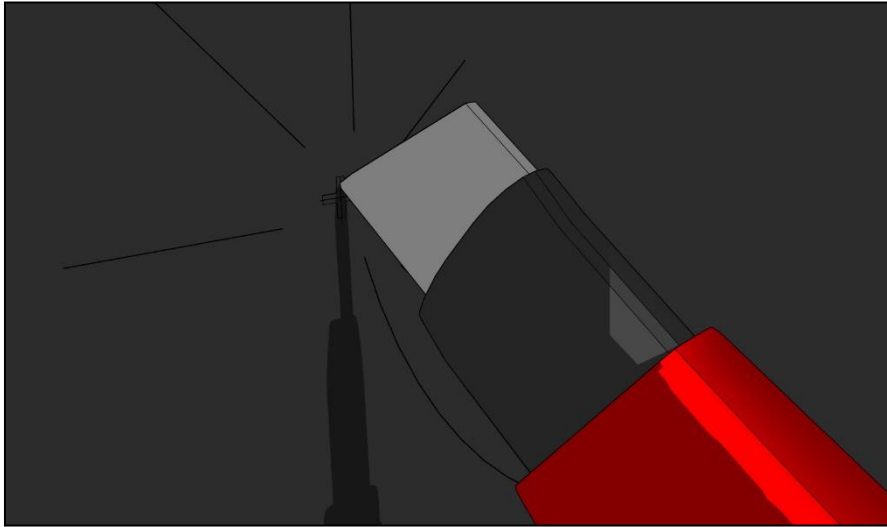
Step 5



Go back to the main instructions and complete the pond build (Step 17). Now fill the pond to about 50mm below the lower screw of the previously fitted Back fittings. The liner will now be nice and taught and you will be able to make out the screw heads for the 2 fittings.

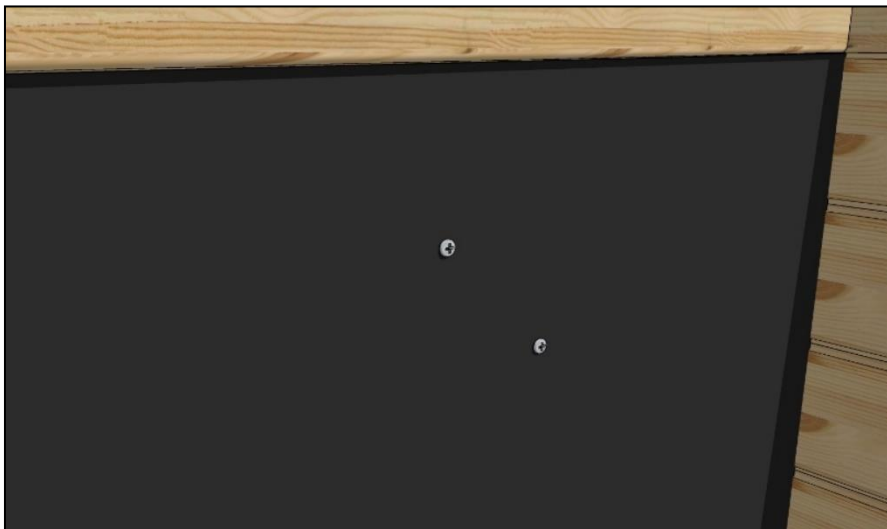
RUTLAND POND RANGE

Step 6



Using a sharp craft knife (a new blade is always better for this) *very* carefully cut through the liner into the each of the screw head slots with the tip of the blade.

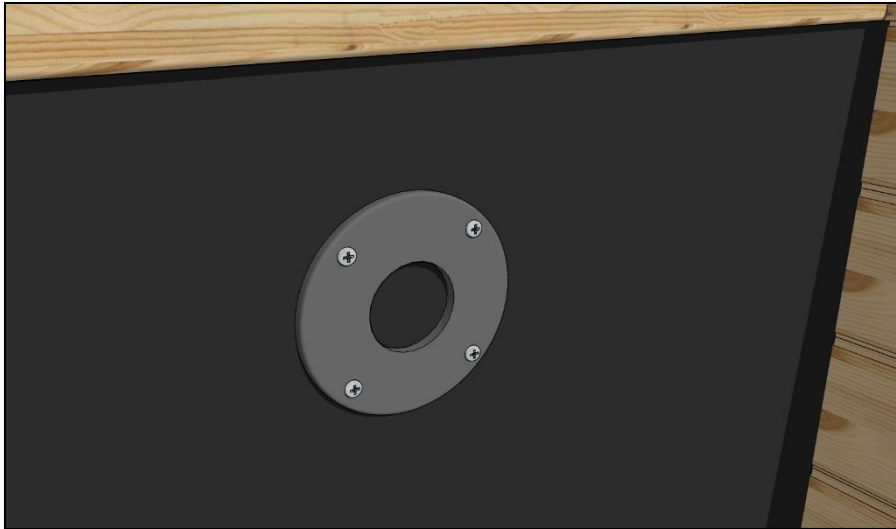
Step 7



You will now be able to carefully stretch the liner over all of the screw heads and through the incisions you have made. Now remove the screws...

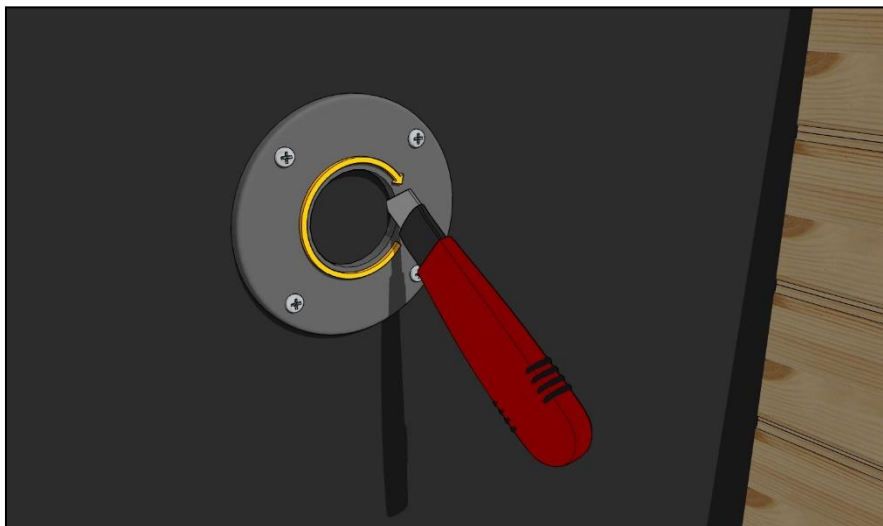
RUTLAND POND RANGE

Step 8



...so you can fit the faceplates. Apply a circular bead to the rear face (totally flat) of the faceplate, place a screw through the faceplate and use it to locate the faceplate in the correct position by locating it in the correct screw hole and then tighten by a few turns. Support the faceplate in position and add the second screw diagonally opposite the first one and screw into place. Still supporting the faceplate, add the remaining 2 screws and tighten all screws fully. Repeat for the second faceplate.

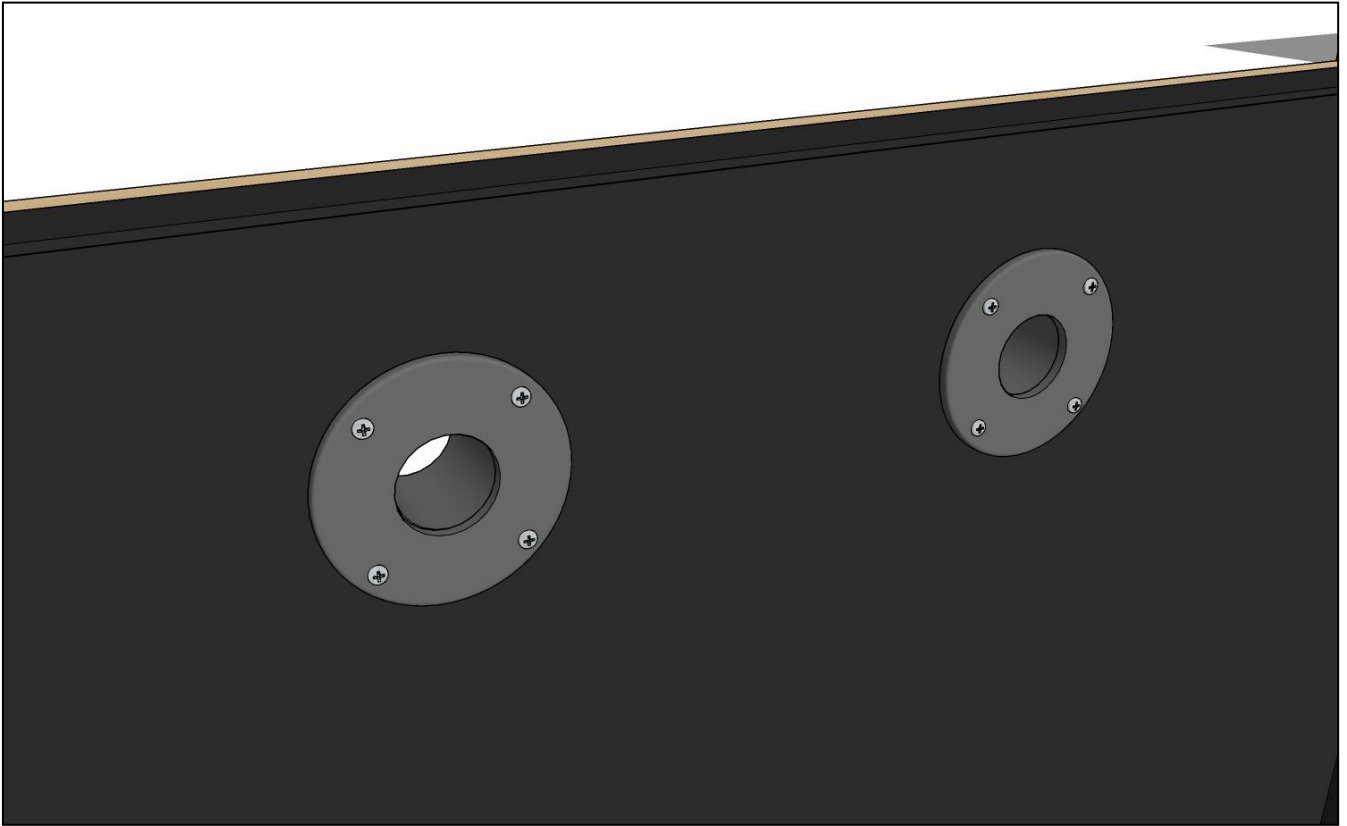
Step 9



Using the craft knife carefully trim around the liner where it meets the inner edge of the face plate on both fittings.

RUTLAND POND RANGE

Step 10



Let the silicone used in the fitting process fully cure before adding the piping for any pumps, filters etc and filling the pond completely.

WE HOPE THAT YOU FOUND YOUR PRODUCT QUICK AND EASY TO ASSEMBLE BUT IF NOT AND YOU REQUIRE ANY FURTHER ASSISTANCE OR HAVE ANY QUESTIONS YOU CAN CONTACT US BY TELEPHONE ON: 01778 440803

EMAIL: INFO@RUTLANDCOUNTYGARDENFURNITURE.CO.UK

WWW.RUTLANDCOUNTYGARDENFURNITURE.CO.UK

Rutland County Garden Furniture Ltd, Ashbourne House, 2 Dovecote Meadows,
Aslackby, Sleaford, Lincs, NG34 0HZ.
Company No: 7670072 VAT No: 151744027