



RUTLAND COUNTY  
GARDEN FURNITURE

*Hand-Crafted*

# ASSEMBLY INSTRUCTIONS

## THE BOX PERGOLA

Before you commence the assembly process we recommend that you read these instructions thoroughly beforehand to familiarise yourself with the assembly process and to also check that you have the correct components. If for any reason you need assistance, you can find our contact details on the final page of these instructions.

We highly recommend that any assembly is carried out on an open flat, level surface if possible with sufficient space. You will also require the assistance of at least 2 adults to complete assembly safely.

**Please note:** For a free-standing pergola you can remove up to 600mm from the bottom of each post prior to commencing construction.

### **Tools required:**

10mm socket, No2 Pozidriv screwdriver (or electric driver) , step ladder or platform.


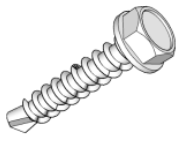

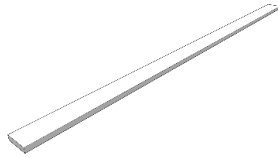


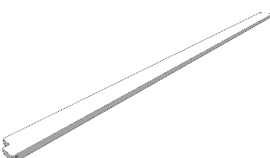
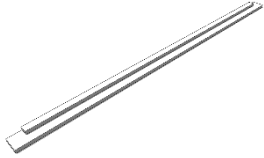
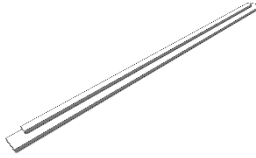
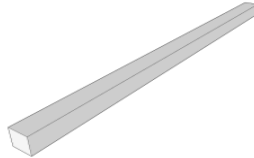
THE BOX PERGOLA

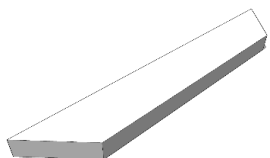
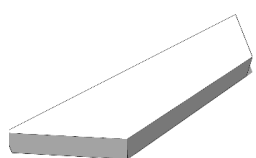
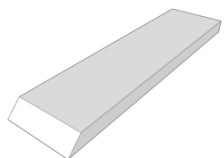
# THE BOX PERGOLA

## Component list

The components listed below are those required to build a Box pergola of 3.6M in size or larger. For the 2.4M and 3M version there are only 3 rafters, 28 x 120mm coachscrews and the braces are 500mm in length.

65mm woodscrews	70mm coachscrews	120mm coachscrews	Outer Rafters
			

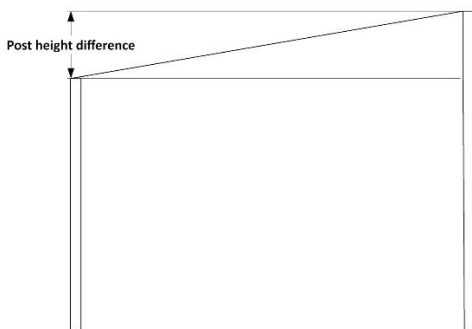
Rafters	Runners – One piece	Runners – Split -Asymmetric	Posts
			

600mm braces	400mm braces	Cladding panels (optional)	
			

The assembly steps that follow are divided into 2 sections. The first section (Page 3) covers the assembly of a **one piece runner** pergola, the second section (Page 6) a **split runner pergola**.

6 post pergolas 4.2 and 4.8M in length are **one piece runner**. All pergolas 5.4M in length and above are **split runner**.

If you have ordered your pergola with a roof slope please refer to the charts below for guidance of the difference in length that you will need to cut your posts to accommodate the slope.



5°	
Rafter length (M)	Post height difference (mm)
1.8	143
2.4	195
3	247
3.6	300
4.2	352
4.8	404

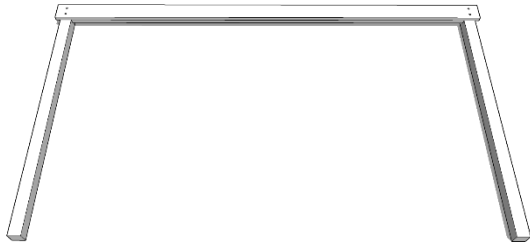
10°	
Rafter length (M)	Post height difference (mm)
1.8	284
2.4	388
3	493
3.6	597
4.2	701
4.8	805

# THE BOX PERGOLA

# THE BOX PERGOLA

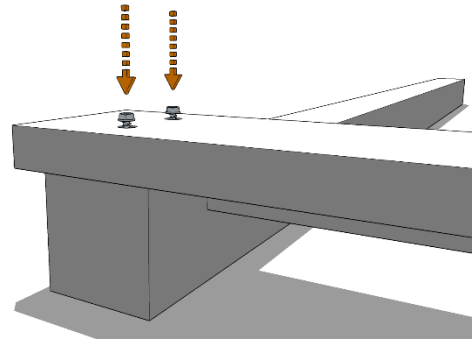
## ONE PIECE RUNNER VERSION

### Step 1



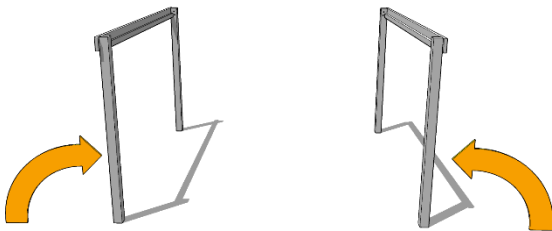
Begin by placing two of the posts on a flat surface as shown and then placing one of the runners, countersinks uppermost, on top of the posts.

### Step 2



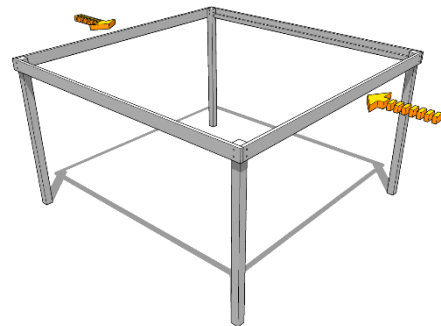
At this point ensure that the post is butted up to the batten on the underside of the runner as shown, flush with the top edge of the runner and perpendicular to it before securing the runner in place with a pair of 70mm coachscrews. Add a post to the other end of the runner and assemble the remaining posts and runner in the same fashion.

### Step 3



Having selected your location, have your assistants lift the two "goalpost" assemblies up into the vertical position as shown, lining them up so they are parallel and spacing them approximately the length of a rafter apart.

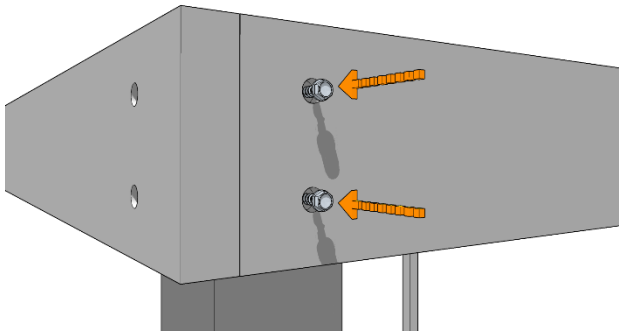
### Step 4



Now add the 2 Outer (plain ended) rafters as follows...

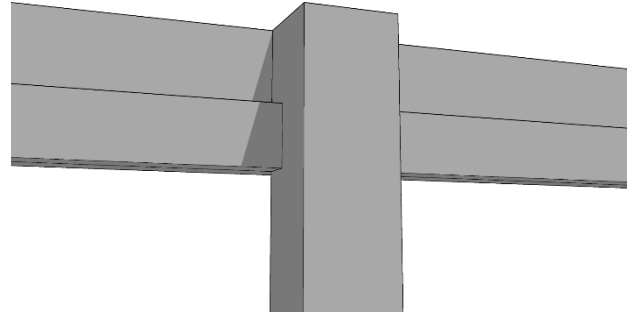
# THE BOX PERGOLA

## Step 5



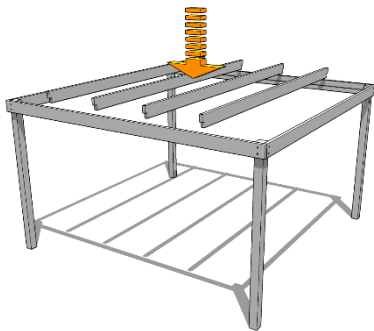
...ensure they the rafter end is butted up against the inner face of the runner and that the top and bottom edges are flush before securing end into place with a pair of 70mm coach screws.

## Step 6



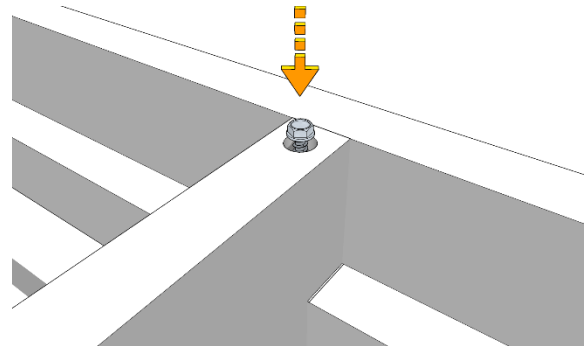
If you are building a 6 post, one piece rafter model then insert the posts into central slot of each runner as shown before securing in place with a pair of 70mm coachscrews through the outer face of each runner.

## Step 7



Now add any intermediate runners to the pergola...

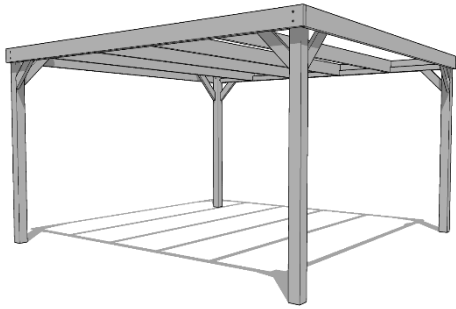
## Step 8



...lining each end up with the marks on the runner battens before securing into place with 120mm coachscrew down through each end into the batten.

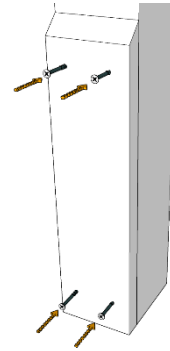
# THE BOX PERGOLA

## Step 9



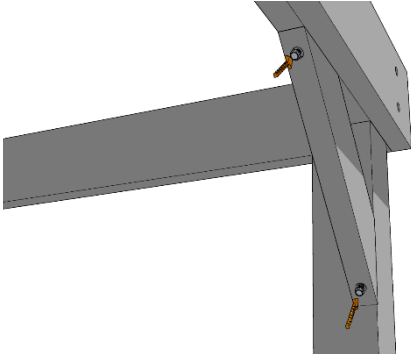
Your Box pergola is now complete.

## Optional



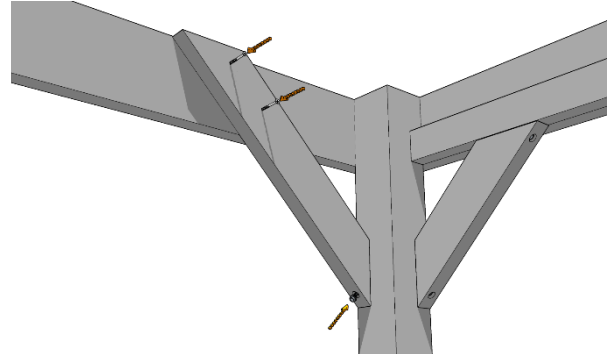
If you have selected the optional cladding, attach a cladding panel to each face of every post with 4 x 65mm woodscrews as shown.

## Optional



Attach the 400mm braces to the underside of the batten on each runner and the lower end into the corner post with 2 x 70mm coachscrews.

## Optional

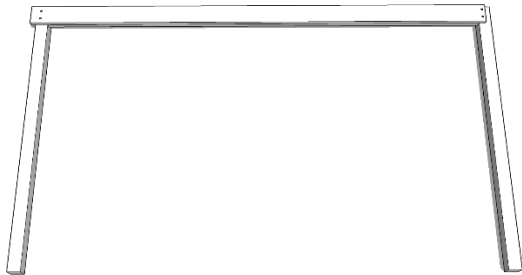


Add the longer braces by fixing the top end, flush with the top of the Outer rafter, with the pair of 65mm woodscrews and the countersunk bottom end to the post with a 70mm coachscrew.

# THE BOX PERGOLA

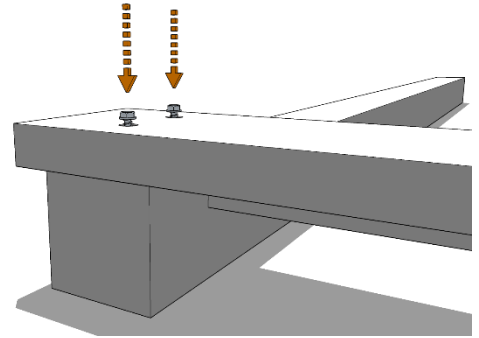
## SPLIT RUNNER VERSION

### Step 10



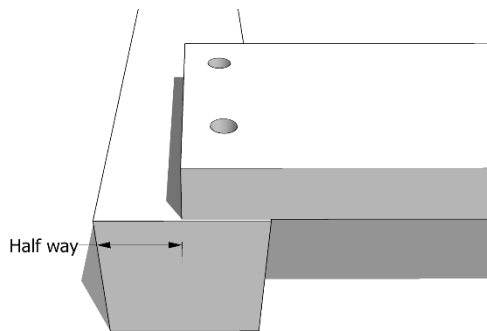
Begin by placing two of the posts on a flat surface as shown and then placing one of the runners, countersinks uppermost, on top of the posts to build a "Goalpost" assembly.

### Step 11



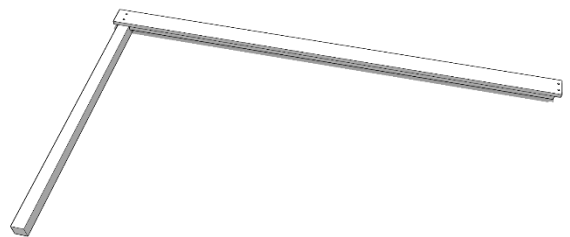
At this point ensure that the post is butted up to the batten on the underside of the runner, flush with the top edge of the runner and perpendicular to it before securing the runner in place with a pair of 70mm coachscrews. Add a post to the other end of the runner and assemble the remaining posts and runner in the same fashion.

### Step 12



For the central post joint, ensure the post is butted up to the batten on the underside of the runner, flush with the top edge of the runner and perpendicular to it before securing the runner in place with a pair of 70mm coachscrews. Assemble a further 2 posts and a runner in the same fashion to create a mirror copy of this one.

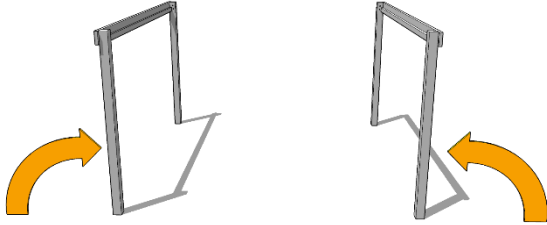
### Step 13



Using the remaining 2 posts and runners build a mirror pair of frame assemblies as shown here .

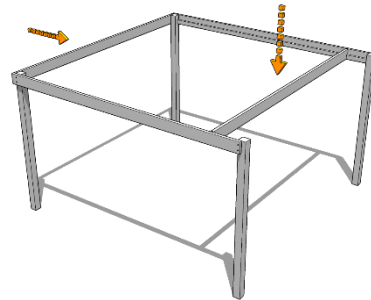
# THE BOX PERGOLA

## Step 14



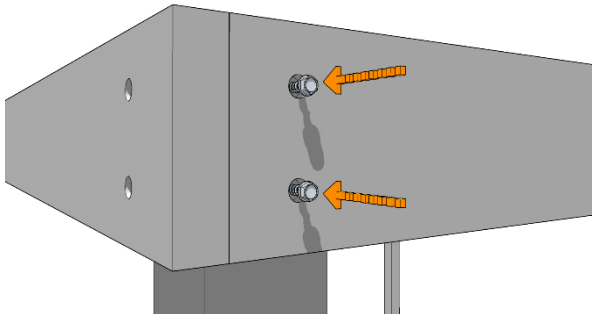
Having selected your location, have your assistants lift the two "goalpost" assemblies up into the vertical position as shown, lining them up so they are parallel and spacing them approximately the length of a rafter apart.

## Step 15



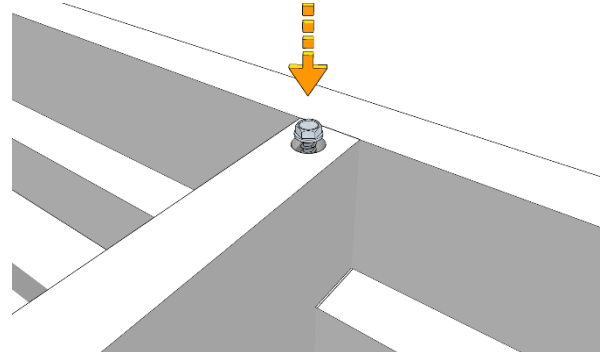
Now add an Outer (plain ended) rafter and an intermediate rafter as follows...

## Step 16



...ensure that the Outer rafter end is butted up against the inner face of the runner and that the top and bottom edges are flush before securing end into place with a pair of 70mm coach screws.

## Step 17

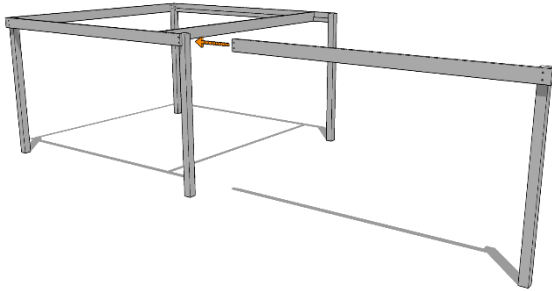


Line up each end of the intermediate rafter with the marks on the runner battens before securing into place with 120mm coachscrew down through each end into the batten.



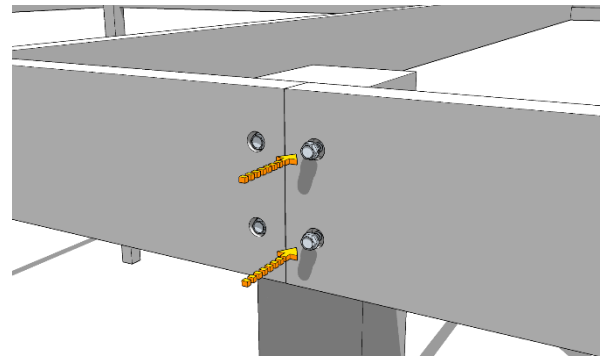
# THE BOX PERGOLA

## Step 18



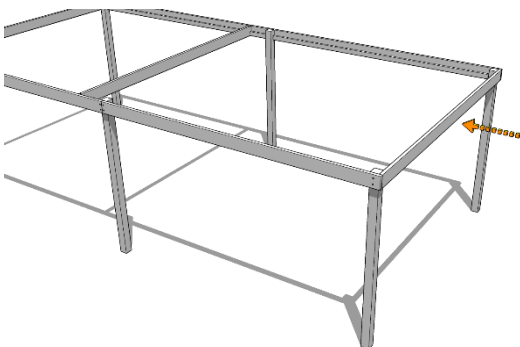
Now take a frame assembly from Step 13 and manoeuvre it into position so that the runner is positioned with the unattached end over the post.

## Step 19



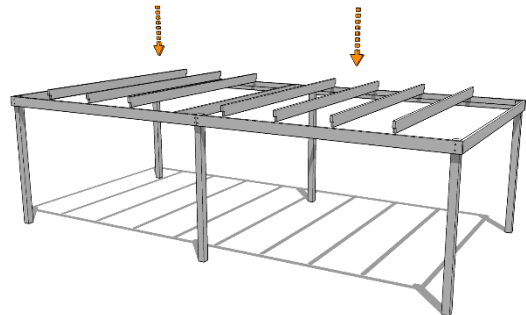
Now fix it in place with a pair of 70mm coachscrews and attach the second frame assembly to the opposite side of the structure in the same fashion.

## Step 20



Now add the second outer rafter to the end of the structure as you did in Step 15.

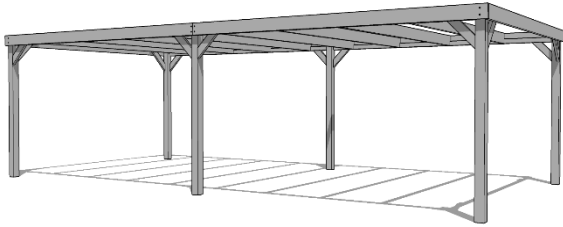
## Step 21



Lower each of the remaining intermediate rafters onto the battens and secure each one in place as you did in Step 17.

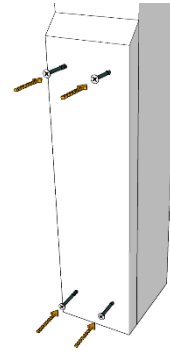
# THE BOX PERGOLA

## Step 22



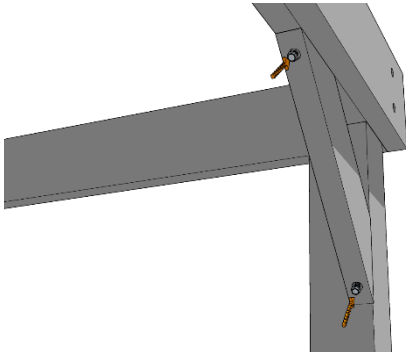
Your Box pergola is now complete.

## Optional



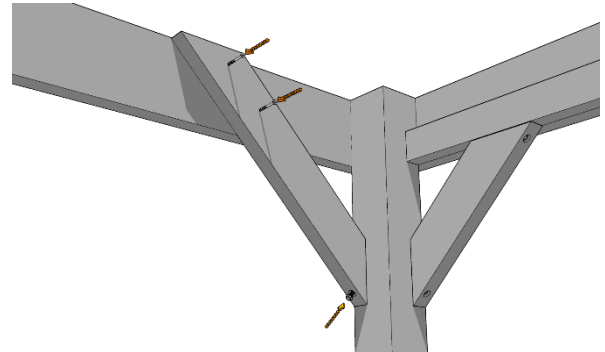
If you have selected the optional cladding, attach a cladding panel to each face of every post with 4 x 65mm woodscrews as shown.

## Optional



Attach the 400mm braces to the underside of the batten on each runner and the lower end into the corner post with 2 x 70mm coachscrews.

## Optional



Add the longer braces by fixing the top end, flush with the top of the Outer rafter, with the pair of 65mm woodscrews and the countersunk bottom end to the post with a 70mm coachscrew.

WE HOPE THAT YOU FOUND YOUR PRODUCT QUICK AND EASY TO ASSEMBLE BUT IF NOT AND YOU REQUIRE ANY FURTHER ASSISTANCE OR HAVE ANY QUESTIONS YOU CAN CONTACT US BY TELEPHONE ON: 01778 440803

EMAIL: [INFO@RUTLANDCOUNTYGARDENFURNITURE.CO.UK](mailto:INFO@RUTLANDCOUNTYGARDENFURNITURE.CO.UK)

[WWW.RUTLANDCOUNTYGARDENFURNITURE.CO.UK](http://WWW.RUTLANDCOUNTYGARDENFURNITURE.CO.UK)

Rutland County Garden Furniture Ltd, Ashbourne House, 2 Dovecote Meadows,  
Aslackby, Sleaford, Lincs, NG34 0HZ.  
Company No: 11025348 VAT No: 282569762